

PARTS CATALOGUE

XV1100 (3EF7) SWITZRLAND,AUSTRIA

XV1100 (3LPB) EUROPE

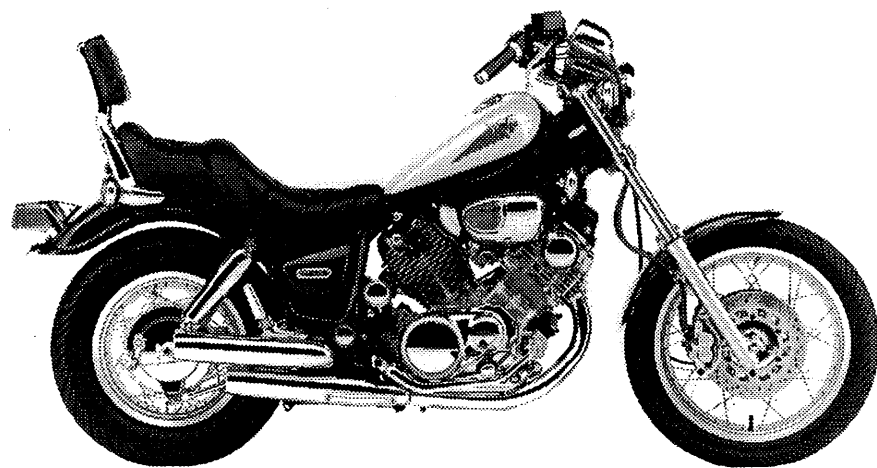
XV1100 (3LPD) SPAIN

YAMAHA
GENUINE
Parts & Accessories

2011-02-18

163LP-300E2

NEWS No.	DATE	COMMENT
PE0-MC-110007	Feb., 18, 2011	FIG.25 REAR ARM & SUSPENSION ILLUSTRATION CORRECTION



A3

FOREWORD

This Parts Catalogue is related to the parts for the model(s) in the below frame. When you are ordering replacement parts, please refer to this Parts Catalogue and quote both part numbers and part names correctly.

XV1100(3EF7/3LPB/3LPD)

1. Modifications or additions which have been made after issue of the Parts Catalogue will be announced in the Yamaha Parts News. It is advisable that you make necessary corrections to the Parts Catalogue according to the Yamaha Parts News.

2. Abbreviations
The Following abbreviations are used in this Parts Catalogue.

"UR" Use specified parts number.

"UN" Use as many as needed.

"AP" Alternate Parts

"LM" Local Made (Parts need to be ordered locally)

"F#" Frame No. (Applicable machine No.)

3. Parts, which are to be supplied in an assembly, are listed with a dot(.) in front of the part name as shown below.

EXAMPLE

CARBURETOR ASSY

.JET, PILOT

.NOZZLE, MAIN

4. Number of component for assembly

The numeral appearing to the right of each component part indicates the quantity of parts for each assembly unit.

EXAMPLE

PART NO.	DESCRIPTION	Q'TY	REMARKS
2F5-83310-60	FRONT FLASHER LIGHT ASSY	2	
115-83311-60	.BULB (6V-18W)	1	
1M1-83309-60	.REFLECTOR	1	

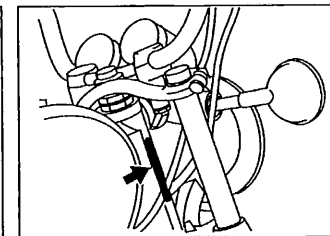
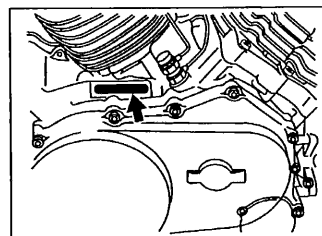
5. Applicable colors of graphics are represented in the "REMARKS" as shown below.

PART NO.	DESCRIPTION	Q'TY	REMARKS
2N4-24110-00-X5	.FUEL TANK COMP.	2	MXR
3J1-24240-10	.GRAPHIC, FUEL TANK	1	for MXR

6. Applicable Serial No.

Engine Serial No.

Frame Serial No.

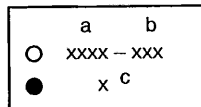


7. Note that the illustrations for reference in finding parts numbers, not to be used for assembling. When assembling, please use the applicable service manual.
8. The asterisk (*) before a reference number indicates modification items after the first edition.

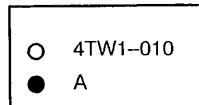
MODEL LABEL

(1) A label called "Model Label" is affixed in the location as indicated in (3) below. When using this parts catalogue, please be sure to cross-refer the "model code - production code No." in the catalogue to the "model code - production code No." indicated on the Model Label affixed onto the product concerned.

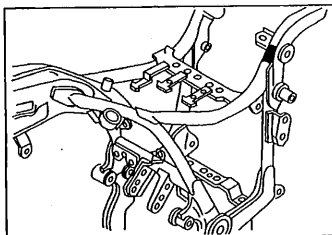
(2) "Model Label" Indication



a: Model Type Code
b: Production Code No.
c: Colouring Type



(3) Model Label Affixing Location



(4) Model Code - Production Code Number of Model Listed in This Parts Catalog

Model Code	Production Code No.	Country (destination)	Model Code	Production Code No.	Country (destination)
3EF7	010	SWITZRLAND			
	020	AUSTRIA			
3LPB	020	BELGIUM			
	040	ENGLAND			
	050	GREECE			
	060	ITALY			
	070	PORTUGAL			
	080	SWEDEN			
3LPD	010	SPAIN			

(5) Colouring Information

Model Code	Colouring type code	Colour code	Colour Name	Abbreviation
3EF7	A	0266	VERY DARK BLUE METALLIC 3	VDBM3
3LPB				
3LPD				
	B	00JW	URUSHI BLACK	URB

CONTENTS

ENGINE

CYLINDER HEAD	B2
CYLINDER	B4
CRANKSHAFT. PISTON	B5
VALVE	B6
CAMSHAFT. CHAIN	B7
OIL PUMP	B9
OIL CLEANER	B11
INTAKE	B12
INTAKE 2	B15
AIR INDUCTION SYSTEM	C4
CARBURETOR	C5
CARBURETOR 2	C7
EXHAUST	C9
CRANKCASE	C11
CRANKCASE COVER 1	C12
STARTER CLUTCH	C14
CLUTCH	C15
TRANSMISSION	D3
MIDDLE DRIVE GEAR	D4
SHIFT CAM. FORK	D6
SHIFT SHAFT	D7

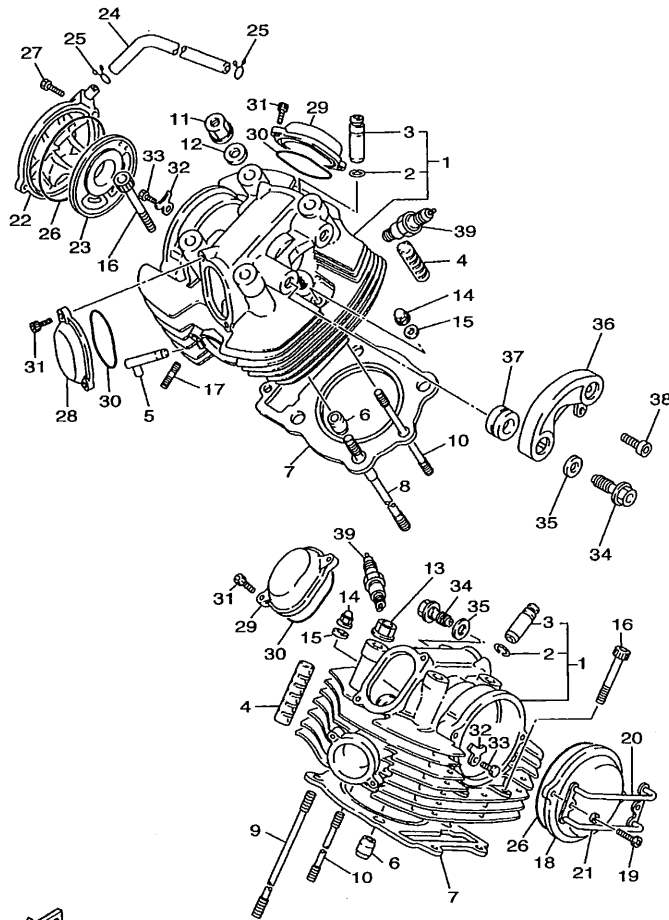
CHASSIS

FRAME	D8
FENDER	D10
SIDE COVER	D12
REAR ARM. SUSPENSION	D13
DRIVE SHAFT	D14
STEERING	E2

FRONT FORK	E4
FUEL TANK	E6
SEAT	E8
FRONT WHEEL	E9
FRONT BRAKE CALIPER	E10
REAR WHEEL	E11
STEERING HANDLE. CABLE	E13
FRONT MASTER CYLINDER	E14
STAND. FOOTREST	F2
GENERATOR	F5
STARTING MOTOR	F6
FLASHER LIGHT	F7
METER	F8
HEADLIGHT	F10
TAILLIGHT	F11
HANDLE SWITCH. LEVER	F12
ELECTRICAL 1	F13
ELECTRICAL 2	F15

INDEX

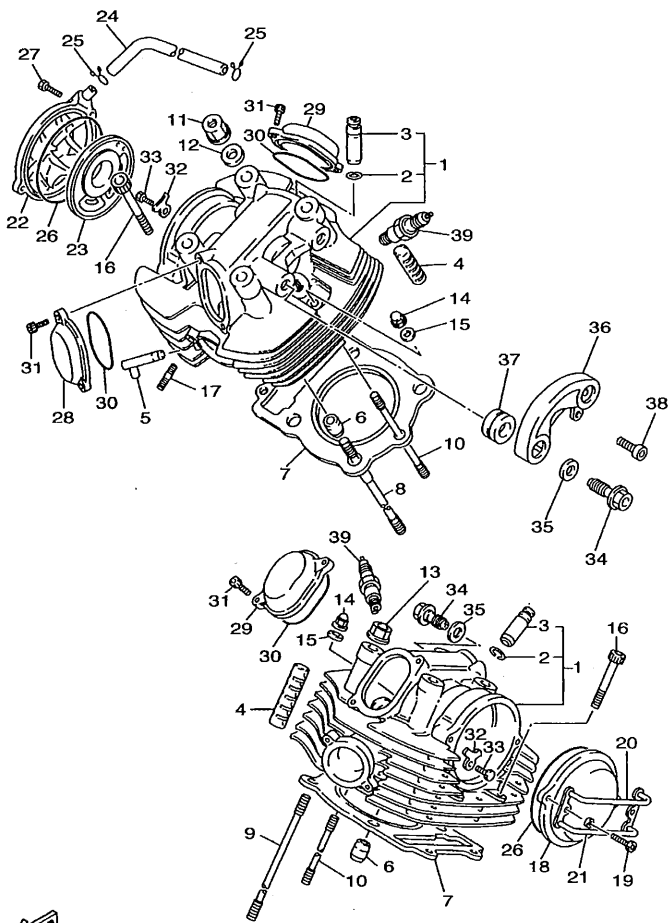
NUMERICAL INDEX	M1
-----------------------	----



3LPE300-7010

FIG. 1 CYLINDER HEAD

REF. NO.	PART NO.	DESCRIPTION	3LPB	3LPD	3EF7	REMARKS
1	1TF-11102-02	CYLINDER HEAD ASSY	2	2		
	1TA-11102-02	CYLINDER HEAD ASSY			2	
2	93440-14086	.CIRCLIP	2	2	2	
3	4X7-11133-10	.GUIDE, IN./EX. VALVE	2	2	2	
4	4X7-11127-00	ABSORBER 3	8	8	8	
5	42H-14873-01	PIPE 3			2	
6	91817-30011	PIN, DOWEL	4	4	4	
7	42H-11181-00	GASKET, CYLINDER HEAD 1	2	2	2	
8	4X7-11363-01	BOLT, CYLINDER HOLDING 3	4	4	4	
9	90116-12469	BOLT, STUD	4	4	4	
10	90116-10344	BOLT, STUD	2	2	2	
11	90179-12326	NUT	4	4	4	
12	90201-125A3	WASHER, PLATE	4	4	4	
13	90179-12325	NUT	4	4	4	
14	90176-10075	NUT, CROWN	2	2	2	
15	90201-101A4	WASHER, PLATE	2	2	2	
16	91314-08050	BOLT	4	4	4	
17	90116-08104	BOLT, STUD	4	4	4	
18	42X-11185-01	COVER, CYLINDER HEAD SIDE 1	1	1	1	
19	91314-06016	BOLT	2	2	2	
20	42X-11152-00	BRACKET, CYLINDER HEAD COVER	1	1	1	
21	90202-05208	WASHER, PLATE	2	2	2	
22	42X-1111H-01	COVER, CYLINDER HEAD SIDE 4	1	1	1	
23	42X-11165-00	PLATE, BREATHER	1	1	1	
24	42X-11166-01	PIPE, BREATHER 1	1	1	1	
25	90467-14015	CLIP	2	2	2	
26	93210-92448	O-RING	2	2	2	

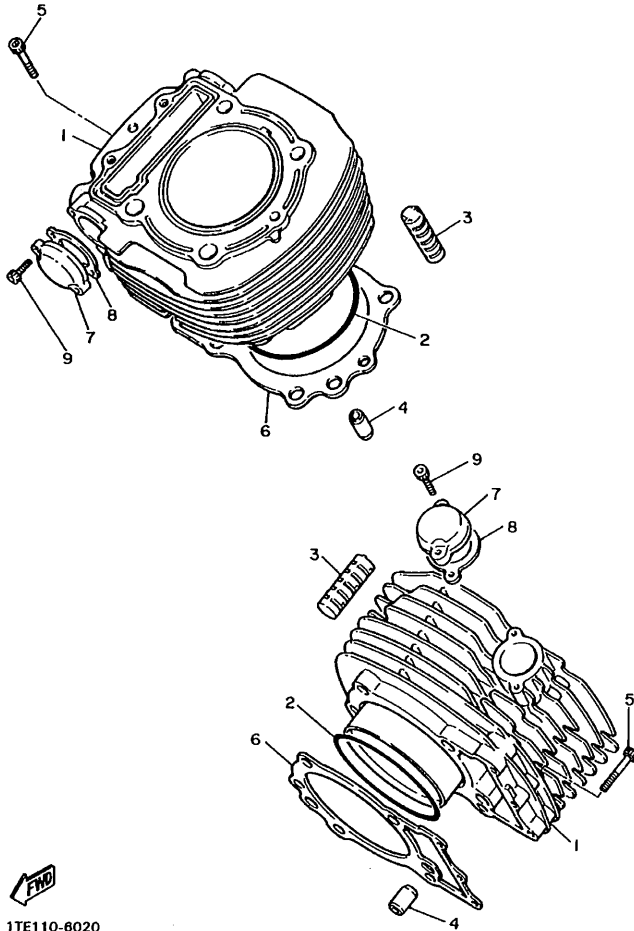


3LPE300-7010

FIG. 1 CYLINDER HEAD

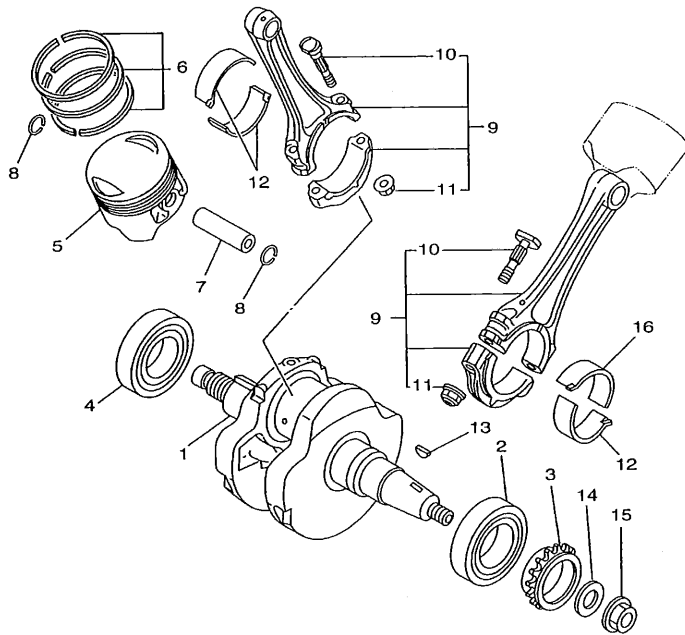
REF. NO.	PART NO.	DESCRIPTION	3LPB	3LPD	3EF7	REMARKS
27	91314-06025	BOLT	2	2	2	
28	42H-11186-01	COVER, CYLINDER HEAD SIDE 2	2	2	2	
29	4X7-11187-01	COVER, CYLINDER HEAD SIDE 3	2	2	2	
30	93210-62446	O-RING	4	4	4	
31	91314-06016	BOLT	8	8	8	
32	4X7-1111F-00	PLATE	2	2	2	
33	97017-08020	BOLT	2	2		
	97011-08020	BOLT			2	
34	90401-16065	BOLT, UNION	2	2	2	
35	90430-17168	GASKET	2	2	2	
36	1RM-1112E-00	COVER, CYLINDER HEAD 3	1	1	1	
37	90480-23444	GROMMET	2	2	2	
38	91317-06010	BOLT	1	1		
	91316-06010	BOLT			1	
39	94701-00218	PLUG, SPARK (NGK BPR7ES)	2	2	2	UR
	94701-00220	PLUG, SPARK (ND W22EPR-U)	2	2	2	UR

FIG. 2 CYLINDER




1TE110-8020

REF. NO.	PART NO.	DESCRIPTION	3LPB	3LPD	3EF7	REMARKS
1	1TA-11310-00	CYLINDER	2	2	2	
2	93211-01467	O-RING	2	2	2	
3	4X7-11161-00	ABSORBER 1	4	4	4	
4	90387-087A5	COLLAR	4	4	4	
5	91314-06040	BOLT	6	6	6	
6	3EG-11351-01	GASKET, CYLINDER	2	2	2	
7	4X7-12215-01	CAP, TENSIONER CASE	2	2	2	
8	4DW-12213-00	GASKET, TENSIONER CASE	2	2	2	
9	91314-06025	BOLT	4	4	4	




4XN3100-8030

FIG. 3 CRANKSHAFT, PISTON

REF. NO.	PART NO.	DESCRIPTION	3LFB	3LFD	3E7	REMARKS
1	1TA-11411-00	CRANKSHAFT	1	1	1	
2	93306-30808	BEARING	1	1	1	
3	4X7-13354-00	SPROCKET, DRIVE	1	1	1	
4	93306-30808	BEARING	1	1	1	
5	1TA-11631-00-A0	PISTON (STD)	2	2	2	
	1TA-11636-00	PISTON (0.50MM O/S)	2	2	2	AP
	1TA-11638-00	PISTON (1.00MM O/S)	2	2	2	AP
6	1TA-11610-00	PISTON RING SET (STD)	2	2	2	
	1TA-11610-20	PISTON RING SET (0.50MM O/S)	2	2	2	AP
	1TA-11610-40	PISTON RING SET (1.00MM O/S)	2	2	2	AP
7	5A8-11633-00	PIN, PISTON	2	2	2	
8	93450-24028	CIRCLIP	4	4	4	
9	5A8-11650-00	CONNECTING ROD ASSY	2	2	2	
10	4X7-11654-01	.BOLT, CONNECTING ROD	2	2	2	
11	90179-09379	.NUT	2	2	2	
12	4X7-11656-00	PLANE BEARING, CONNECTING ROD	3	3	3	UR BLUE
	4X7-11656-10	PLANE BEARING, CONNECTING ROD	3	3	3	UR BLACK
	4X7-11656-20	PLANE BEARING, CONNECTING ROD	3	3	3	UR BROWN
	4X7-11656-30	PLANE BEARING, CONNECTING ROD	3	3	3	UR GREEN
	4X7-11656-40	PLANE BEARING, CONNECTING ROD	3	3	3	UR YELLOW
13	90280-05048	KEY, WOODRUFF	1	1	1	
14	90201-165H4	WASHER, PLATE	1	1	1	
15	90179-16448	NUT	1	1	1	
16	5G5-11656-00	PLANE BEARING, CONNECTING ROD	1	1	1	UR BLACK
	5G5-11656-10	PLANE BEARING, CONNECTING ROD	1	1	1	UR BROWN
	5G5-11656-20	PLANE BEARING, CONNECTING ROD	1	1	1	UR GREEN



5E3171-1050

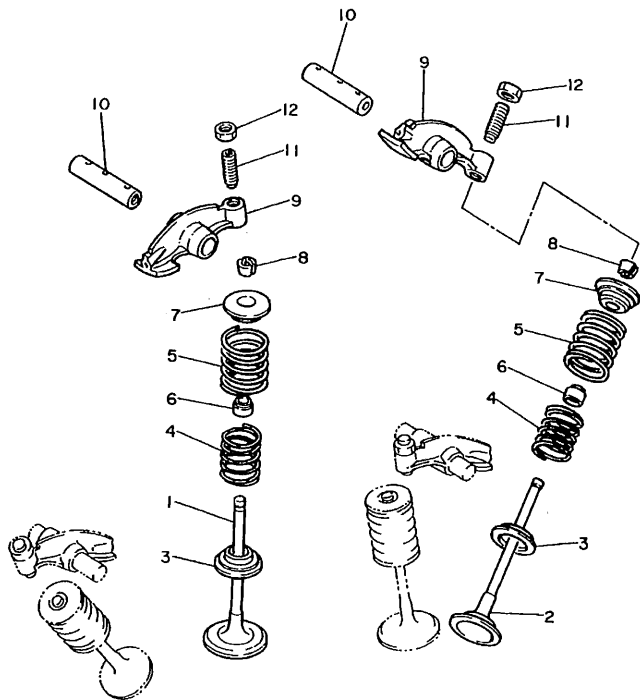
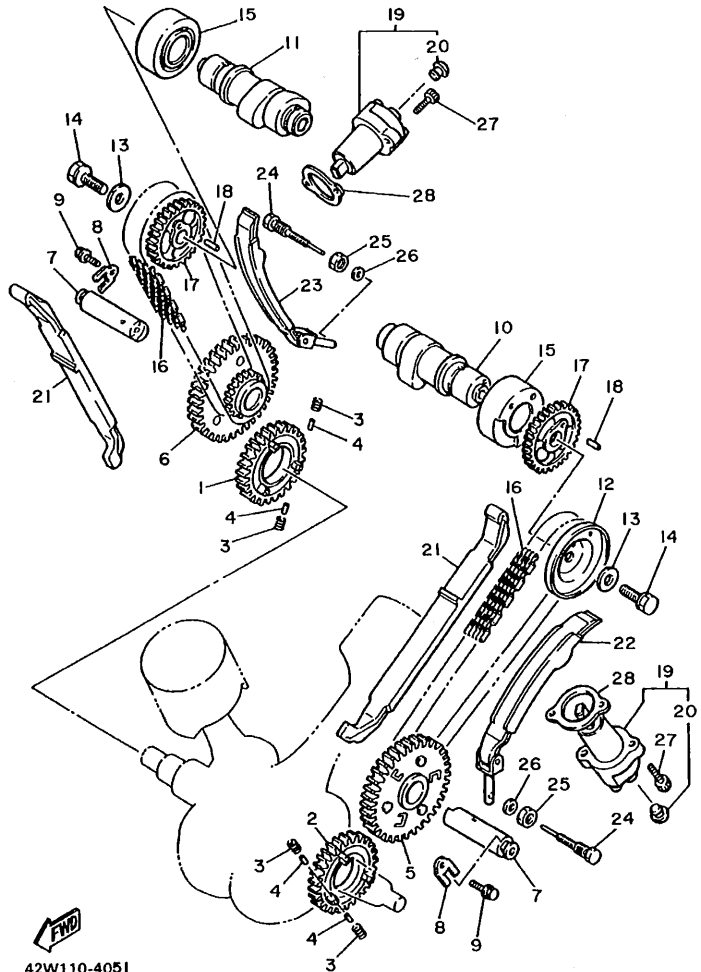


FIG. 4 VALVE

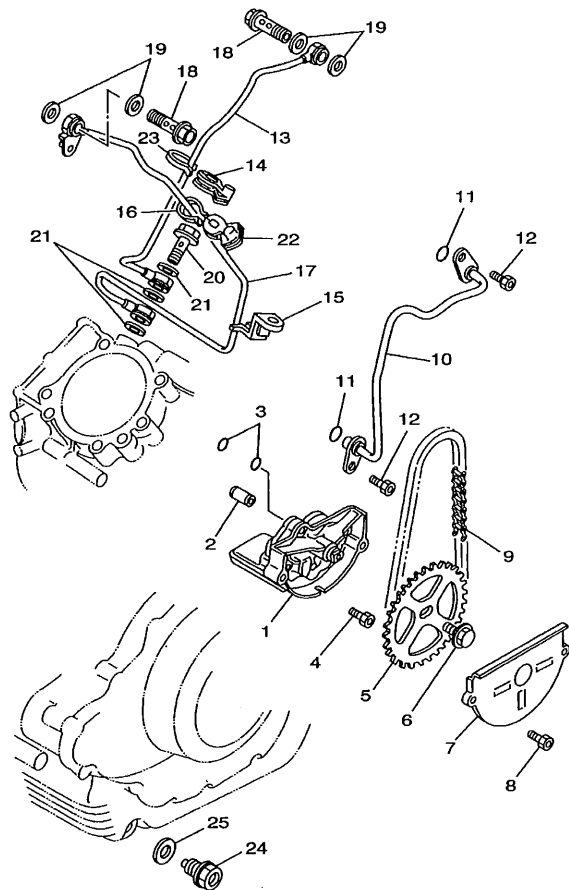
REF. NO.	PART NO.	DESCRIPTION	3LPB	3LPD	3EF7	REMARKS
1	2J2-12111-01	VALVE, INTAKE	2	2	2	
2	5A8-12121-00	VALVE, EXHAUST	2	2	2	
3	4X7-12116-00	SEAT, VALVE SPRING	4	4	4	
4	1TA-12113-00	SPRING, VALVE INNER	4	4	4	
5	1TA-12114-00	SPRING, VALVE OUTER	4	4	4	
6	341-12119-02	SEAL, VALVE STEM	4	4	4	
7	4X7-12117-00	RETAINER, VALVE SPRING	4	4	4	
8	4X7-12118-00	COTTER, VALVE	8	8	8	
9	42X-12151-00	ARM, VALVE ROCKER	4	4	4	
10	4X7-12156-01	SHAFT, ROCKER 2	4	4	4	
11	4X7-12159-00	SCREW, VALVE ADJUSTING	4	4	4	
12	90170-08173	NUT	4	4	4	

FIG. 5 CAMSHAFT CHAIN



42W110-4051

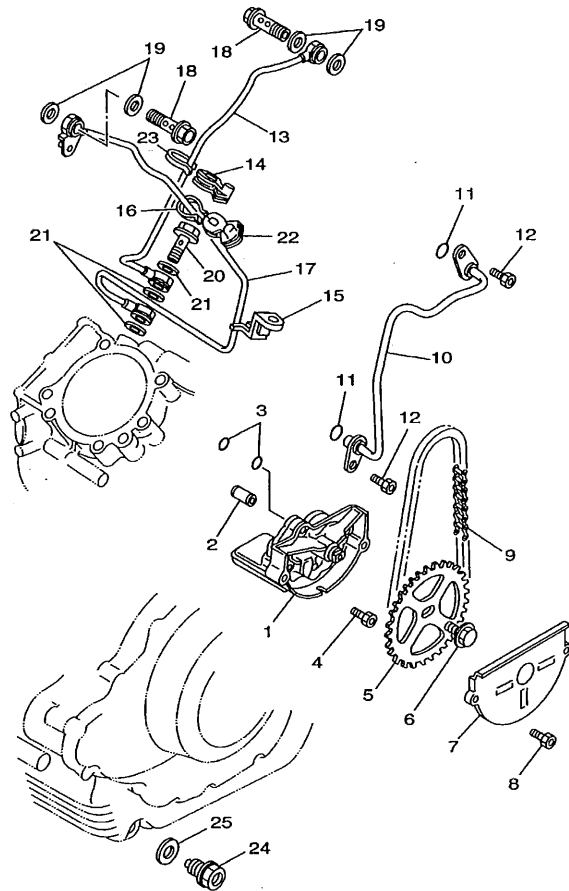
REF. NO.	PART NO.	DESCRIPTION	3LPB	3LPD	3EF7	REMARKS
26	92901-06600	WASHER, PLATE			2	
27	91314-06025	BOLT	4	4	4	
28	4DW-12213-00	GASKET, TENSIONER CASE	2	2	2	



3JLV100-8060

FIG. 6 OIL PUMP

REF. NO.	PART NO.	DESCRIPTION	3LPB	3LPD	3EFL	REMARKS
1	10L-13300-00	OIL PUMP ASSY	1	1	1	
2	99510-08016	PIN, DOWEL	1	1	1	
3	93210-07135	O-RING	2	2	2	
4	91317-06040	BOLT	3	3		
	91316-06040	BOLT			3	
5	4X7-13355-00	SPROCKET, DRIVEN (35T)	1	1	1	
6	90105-06154	BOLT, WASHER BASED	1	1	1	
7	10L-13327-00	COVER, PUMP GEAR	1	1	1	
8	91317-06010	BOLT	2	2		
	91316-06010	BOLT			2	
9	94580-25066	CHAIN	1	1	1	
10	4X7-13171-00	PIPE, DELIVERY 2	1	1	1	
11	93210-07135	O-RING	2	2	2	
12	91317-06010	BOLT	2	2		
	91316-06010	BOLT			2	
13	4X7-13405-00	OIL PIPE COMP. 1	1	1	1	
14	4X7-15485-01	CLAMP	1	1	1	
15	4X7-15484-00	CLAMP 2	1	1	1	
16	90468-05113	CLIP	1	1	1	
17	1RM-13406-00	OIL PIPE COMP. 2	1	1	1	
18	90401-16067	BOLT, UNION	2	2	2	
19	90430-17168	GASKET	4	4	4	
20	90401-10102	BOLT, UNION	1	1	1	
21	90430-15169	GASKET	3	3	3	
22	4X7-15485-01	CLAMP	1	1	1	
23	90468-05113	CLIP	1	1	1	
24	90340-14135	PLUG, STRAIGHT SCREW	1	1	1	



3JLV100-8060

FIG. 6 OIL PUMP

REF. NO.	PART NO.	DESCRIPTION	3LPB	3LPD	3EF7	REMARKS
25	214-11198-01	GASKET	1	1	1	

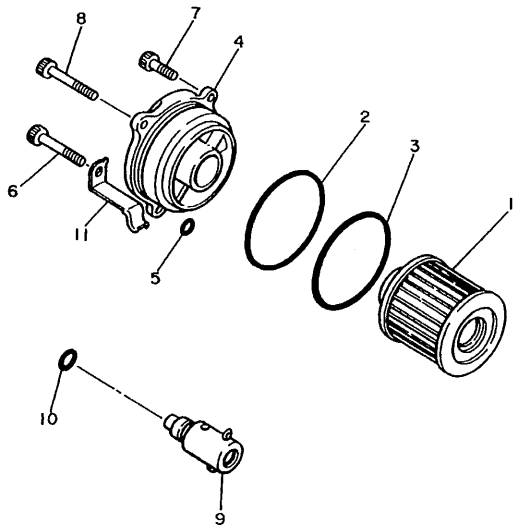
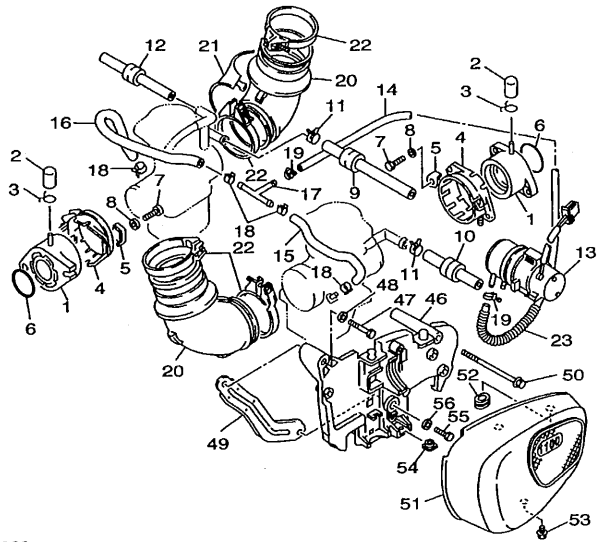
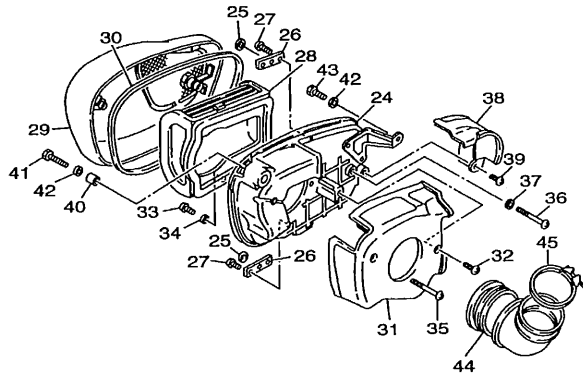


FIG. 7 OIL CLEANER

REF. NO.	PART NO.	DESCRIPTION	3LPB	3LPD	3EF7	REMARKS
1	4X7-13440-01	ELEMENT ASSY, OIL CLEANER	1	1	1	
2	93210-56459	O-RING	1	1	1	
3	93210-54452	O-RING	1	1	1	
4	1RM-13447-00	COVER, OIL ELEMENT	1	1	1	
5	93210-07135	O-RING	1	1	1	
6	90109-06667	BOLT	1	1	1	
7	91314-06020	BOLT	1	1	1	
8	91314-06050	BOLT	1	1	1	
9	4G0-13490-01	RELIEF VALVE ASSY	1	1	1	
10	93210-10096	O-RING	1	1	1	
11	90462-10098	CLAMP	1	1	1	



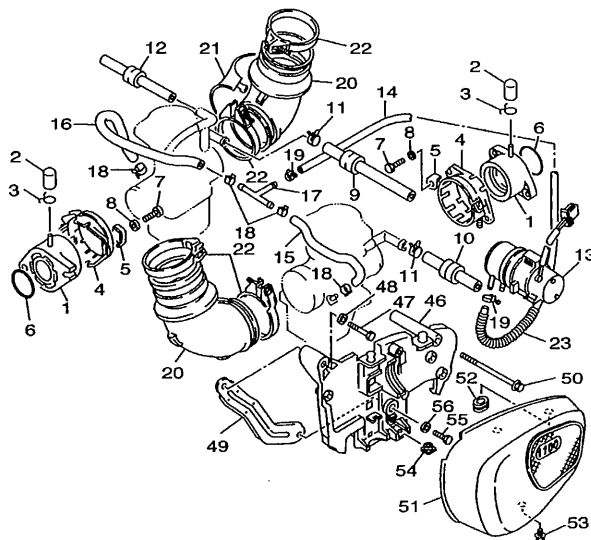
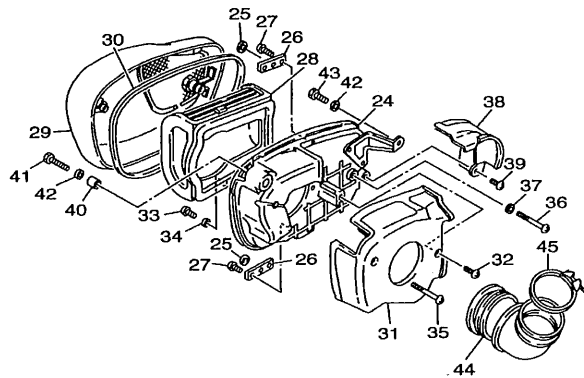
5E3171-1070



3LPE332-7080

FIG. 8 INTAKE

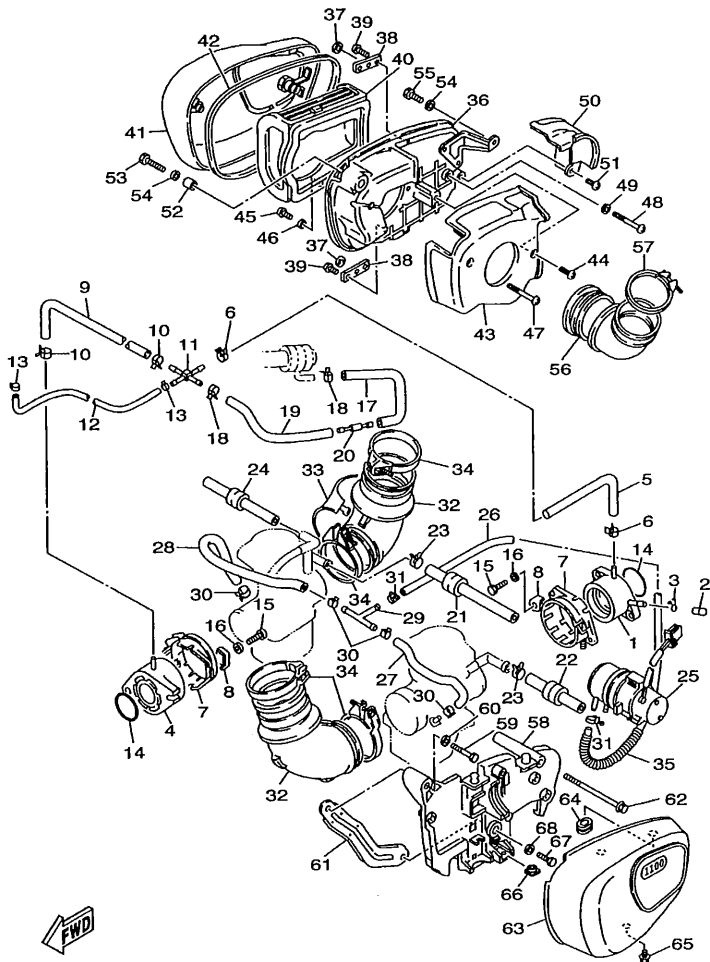
REF. NO.	PART NO.	DESCRIPTION	3LPB	3LPD	3EF7	REMARKS
1	24M-13586-01	JOINT, CARBURETOR 1	2	2		
2	16G-13569-00	PLUG, BLIND	2	2		
3	90467-10039	CLIP	2	2		
4	42X-13564-01	COVER, MANIFOLD	2	2		
5	42X-13578-00	WASHER	2	2		
6	93210-44545	O-RING	2	2		
7	97027-06020	BOLT	4	4		
8	92907-06600	WASHER, PLATE	4	4		
9	3CG-14197-00	PIPE	1	1		
10	3CG-14987-00	HOSE	1	1		
11	90467-14057	CLIP	2	2		
12	3CG-14396-00	PIPE	1	1		
13	42H-13907-00	FUEL PUMP COMP.	1	1		
14	42H-13971-00	PIPE, FUEL 1	1	1		
15	1TA-14349-00	PIPE	1	1		
16	1TA-14348-00	PIPE 1	1	1		
17	90413-07023	WAY 3	1	1		
18	90467-10135	CLIP	4	4		
19	90460-12256	CLAMP, HOSE	2	2		
20	10L-14453-01	JOINT, AIR CLEANER 1	2	2		
21	10L-14407-00	COVER, JOINT	1	1		
22	90460-65169	CLAMP, HOSE	4	4		
23	90501-100F8	SPRING, COMPRESSION	1	1		
24	42X-14401-01	AIR CLEANER CASE ASSY	1	1		
25	92907-04600	WASHER	2	2		
26	42X-14477-00	PLATE	2	2		
27	97707-40112	SCREW, TAPPING	4	4		



3LPE332-7080

FIG. 8 INTAKE

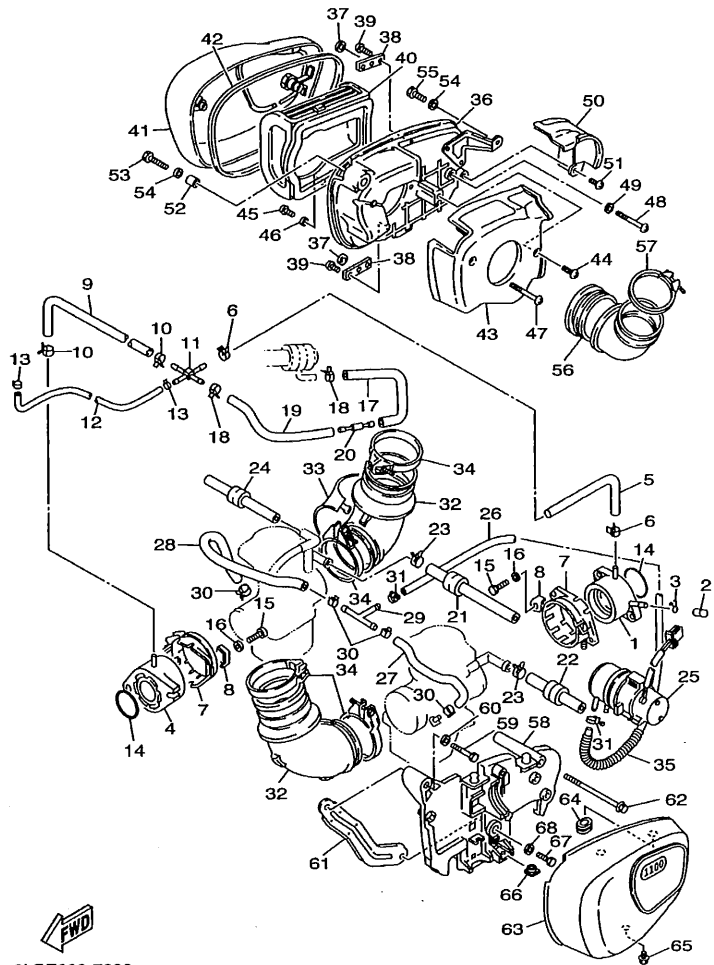
REF. NO.	PART NO.	DESCRIPTION	3LPB	3LPD	3EF7	REMARKS
28	42X-14451-00	ELEMENT, AIR CLEANER	1	1		
29	1TA-14422-00	CAP, CLEANER CASE 2	1	1		
30	42X-14452-00	SEAL	1	1		
31	1TA-1441A-00	COVER, CLEANER CASE 1	1	1		
32	97707-50508	SCREW, TAPPING	1	1		
33	98507-05012	SCREW, PAN HEAD	1	1		
34	92907-05600	WASHER, PLATE	1	1		
35	98507-06080	SCREW, PAN HEAD	1	1		
36	98507-06050	SCREW, PAN HEAD	1	1		
37	92907-06600	WASHER, PLATE	1	1		
38	1TA-1441E-00	COVER, CLEANER CASE 2	1	1		
39	97707-50508	SCREW, TAPPING	1	1		
40	90387-07598	COLLAR	1	1		
41	91317-06030	BOLT	1	1		
42	92907-06200	WASHER	2	2		
43	91317-06012	BOLT	1	1		
44	42X-14485-00	PIPE, JOINT	1	1		
45	90460-65169	CLAMP, HOSE	1	1		
46	42X-14663-02	PLATE, AIR CLEANER	1	1		
47	91317-06090	BOLT	1	1		
48	92907-06200	WASHER	1	1		
49	42X-14484-00	PLATE, CLEANER CASE FITTING	1	1		
50	95807-06025	BOLT, FLANGE	1	1		
51	1TA-14603-00	COVER 1	1	1		
52	90480-14074	GROMMET	2	2		
53	95807-06014	BOLT, FLANGE	1	1		
54	12R-14484-01	PLATE, CLEANER CASE FITTING	1	1		



3LPE300-7090

FIG. 9 INTAKE 2

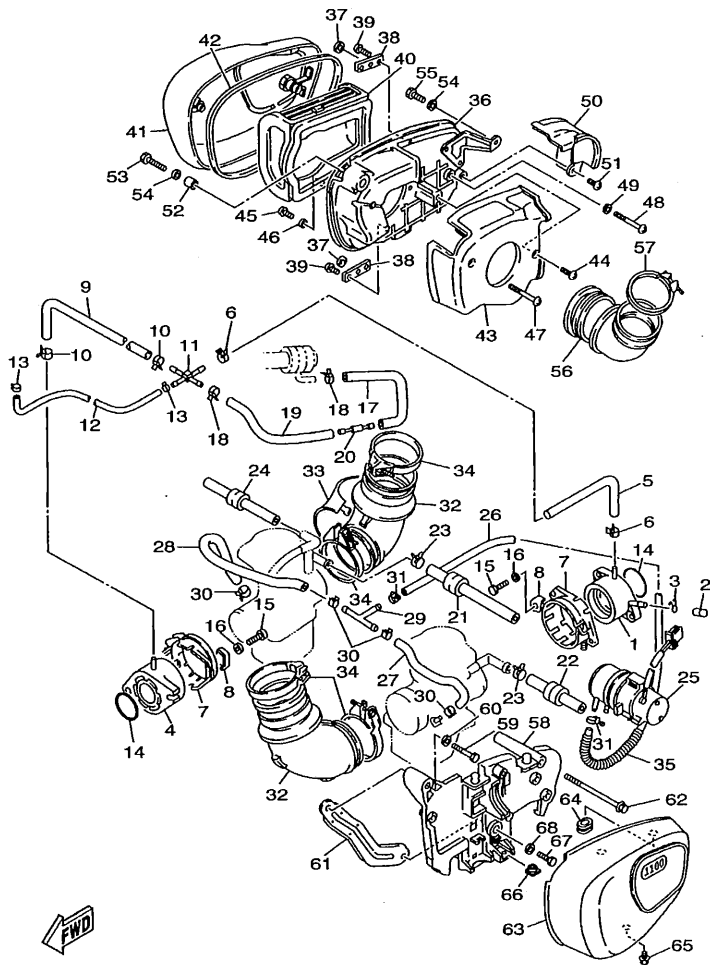
REF. NO.	PART NO.	DESCRIPTION	3LPB	3LPD	3EF7	REMARKS
1	1TA-13586-00	JOINT, CARBURETOR 1			1	
2	16G-13569-00	PLUG, BLIND			1	
3	90467-10035	CLIP			1	
4	24M-13586-01	JOINT, CARBURETOR 1			1	
5	3CG-13542-00	HOSE, VACUUM SENSING 1			1	
6	90467-08092	CLIP			2	
7	42X-13564-01	COVER, MANIFOLD			2	
8	42X-13578-00	WASHER			2	
9	42X-13544-00	HOSE, VACUUM SENSING 2			1	
10	90467-08092	CLIP			2	
11	1TA-13595-00	JOINT			1	
12	42H-13532-00	HOSE, VACUUM SENSING 3			1	
13	90467-07093	CLIP			2	
14	93210-44545	O-RING			2	
15	97026-06020	BOLT			4	
16	92906-06600	WASHER, PLATE			4	
17	1TA-13534-00	HOSE, VACUUM SENSING 5			1	
18	90467-08092	CLIP			2	
19	1TA-13535-00	HOSE, VACUUM SENSING 5			1	
20	41R-14489-00	NOZZLE			1	
21	3CG-14197-00	PIPE			1	
22	3CG-14987-00	HOSE			1	
23	90467-14057	CLIP			2	
24	3CG-14396-00	PIPE			1	
25	42H-13907-00	FUEL PUMP COMP.			1	
26	42H-13971-00	PIPE, FUEL 1			1	
27	1TA-14349-00	PIPE			1	



FWD
3LPE300-7090

FIG. 9 INTAKE 2

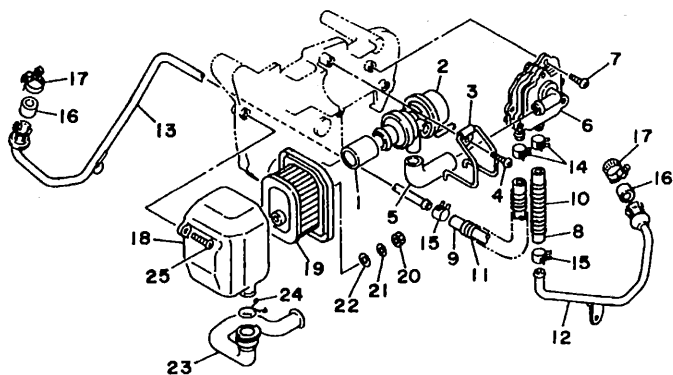
REF. NO.	PART NO.	DESCRIPTION	3LPB	3LPD	3EF7	REMARKS
28	1TA-14348-00	PIPE 1			1	
29	90413-07023	WAY 3			1	
30	90467-10091	CLIP			4	
31	90460-12256	CLAMP, HOSE			2	
32	10L-14453-01	JOINT, AIR CLEANER 1			2	
33	10L-14407-00	COVER, JOINT			1	
34	90460-65169	CLAMP, HOSE			4	
35	90501-100F8	SPRING, COMPRESSION			1	
36	42X-14401-01	AIR CLEANER CASE ASSY			1	
37	92902-04600	WASHER, PLATE			2	
38	42X-14477-00	PLATE			2	
39	97702-40112	SCREW, TAPPING			4	
40	42X-14451-00	ELEMENT, AIR CLEANER			1	
41	1TA-14422-00	CAP, CLEANER CASE 2			1	
42	42X-14452-00	SEAL			1	
43	1TA-1441A-00	COVER, CLEANER CASE 1			1	
44	97706-50508	SCREW, TAPPING			1	
45	98507-05012	SCREW, PAN HEAD			1	
46	92907-05600	WASHER, PLATE			1	
47	92506-06080	SCREW			1	
48	92506-06050	SCREW			1	
49	92906-06600	WASHER, PLATE			1	
50	1TA-1441E-00	COVER, CLEANER CASE 2			1	
51	97706-50508	SCREW, TAPPING			1	
52	90387-07598	COLLAR			1	
53	91316-06030	BOLT			1	
54	92906-06200	WASHER, PLAIN			2	



3LPE300-7090

FIG. 9 INTAKE 2

REF. NO.	PART NO.	DESCRIPTION	3LPB	3LPD	3EF7	REMARKS
55	91316-06012	BOLT			1	
56	42X-14485-00	PIPE, JOINT			1	
57	90460-65169	CLAMP, HOSE			1	
58	42X-14663-02	PLATE, AIR CLEANER			1	
59	91312-06090	BOLT			1	
<hr/>						
60	92906-06200	WASHER, PLAIN			1	
61	42X-14484-00	PLATE, CLEANER CASE FITTING			1	
62	95802-06025	BOLT, FLANGE			1	
63	1TA-14603-00	COVER 1			1	
64	90480-14074	GROMMET			2	
<hr/>						
65	95801-06014	BOLT, FLANGE			1	
66	12R-14484-01	PLATE, CLEANER CASE FITTING			1	
67	91316-06035	BOLT			1	
68	92906-06200	WASHER, PLAIN			1	
<hr/>						
<hr/>						
<hr/>						
<hr/>						



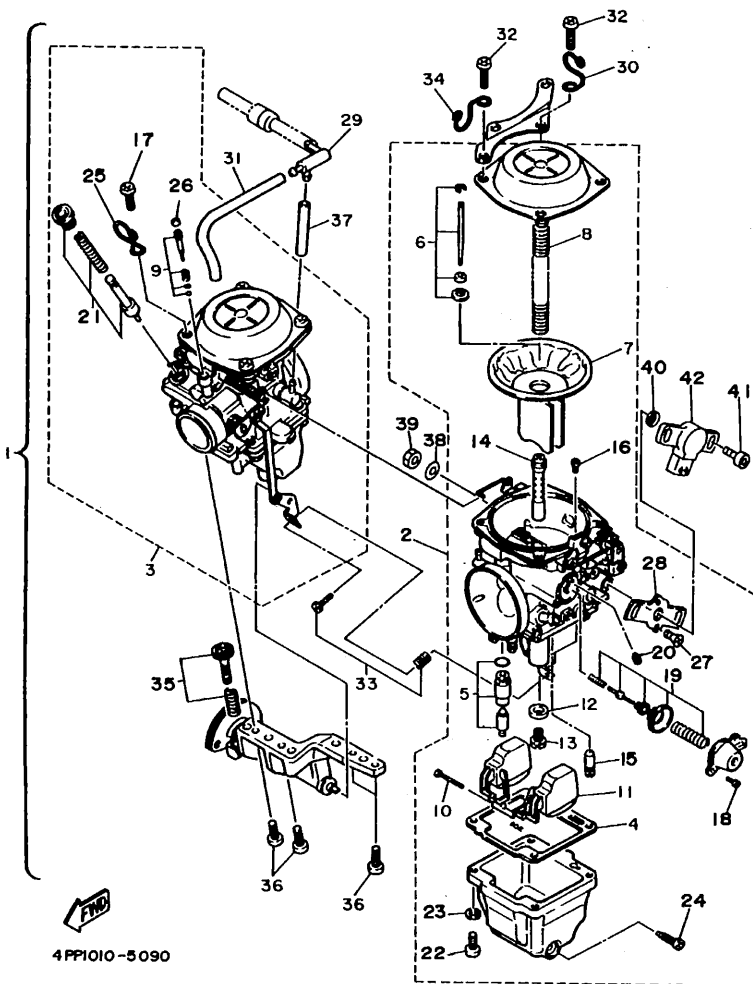

3LP4300-2540

FIG. 10 AIR INDUCTION SYSTEM

REF. NO.	PART NO.	DESCRIPTION	3LPB	3LPD	3EF7	REMARKS
1	42H-14882-00	HOSE, BEND 2			1	
2	1TA-14840-00	AIR CUT VALVE ASS'Y			1	
3	90462-20188	CLAMP			1	
4	97701-60114	SCREW, TAPPING			1	
5	42H-14883-00	HOSE, BEND 3			1	
6	42H-14808-00	REED VALVE ASSY			1	
7	97701-60114	SCREW, TAPPING			3	
8	42H-14884-00	HOSE, BEND 4			1	
9	42H-14885-00	HOSE, BEND 5			1	
10	90501-101J3	SPRING, COMPRESSION			1	
11	90501-101J4	SPRING, COMPRESSION			1	
12	42H-14871-01	PIPE 1			1	
13	42H-14872-02	PIPE 2			1	
14	90468-08104	CLIP			2	
15	90467-16098	CLIP			2	
16	42H-14714-10	GASKET, MUFFLER			2	
17	90460-15227	CLAMP, HOSE			2	
18	42H-14857-00	CASE, AIR CLEANER			1	
19	42H-14858-00	CAP, CASE			1	
20	95301-05600	NUT			1	
21	92901-05200	WASHER, PLAIN			1	
22	90202-05057	WASHER, PLATE			1	
23	1TA-14881-00	HOSE, BEND 1			1	
24	90467-22080	CLIP			1	
25	97701-60114	SCREW, TAPPING			1	

FIG. 11 CARBURETOR

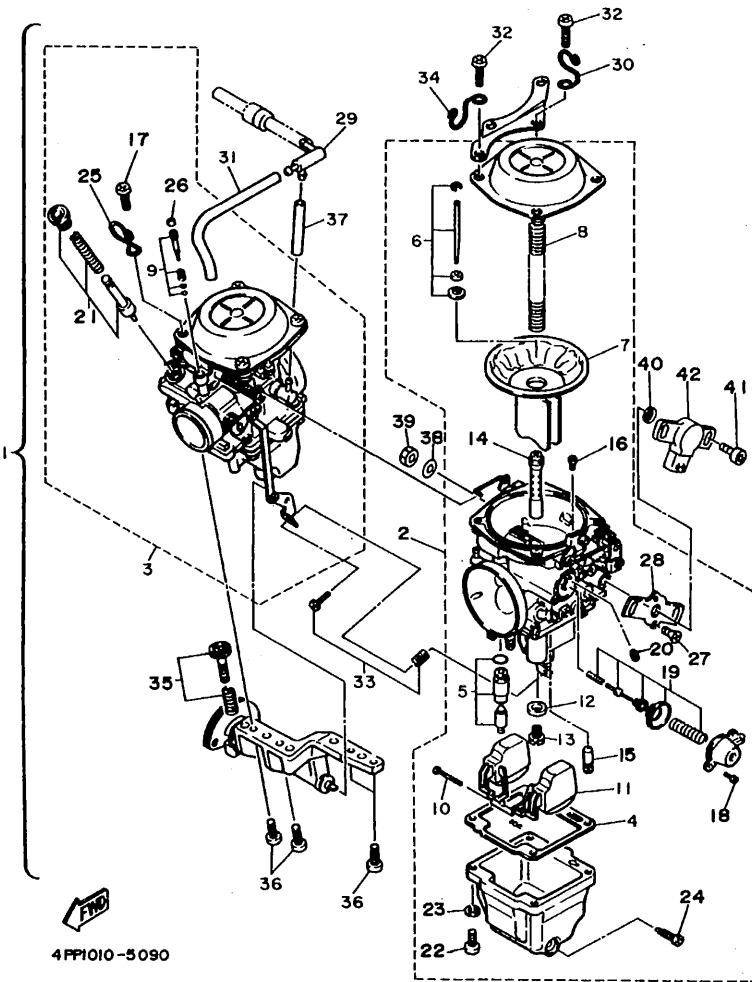
REF. NO.	PART NO.	DESCRIPTION	3LPB	3LPD	SEF7	REMARKS
1	4PP-14900-01	CARBURETOR ASSY	1	1		
2	4PP-14901-01	..CARBURETOR ASSY 1	1	1		
3	4PP-14902-01	..CARBURETOR ASSY 2	1	1		
4	3CF-14984-01	..GASKET, FLOAT CHAMBER	1	1		
5	3CF-14107-15	..NEEDLE VALVE SET	1	1		
6	3CN-1490J-00	..NEEDLE SET	1	1		
7	4PP-14940-00	..DIAPHRAGM ASSY	1	1		
8	3CF-14933-00	..SPRING, DIAPHRAGM	1	1		
9	12R-14105-00	..PILOT SCREW SET	1	1		
10	537-14186-00	..PIN, FLOAT	1	1		
11	2VA-14185-00	..FLOAT	1	1		
12	137-14153-00	..WASHER, MAIN JET	1	1		
13	620-1423A-75	..JET, MAIN (#122.5)	1	1		
14	3CF-14141-93	..NOZZLE, MAIN	1	1		
15	4G0-14142-40	..JET, PILOT (#40)	1	1		
16	3G2-14231-12	..JET, POWER (#60)	1	1		
17	98507-05010	..SCREW, PAN HEAD	4	4		
18	98507-04008	..SCREW, PAN HEAD	2	2		
19	3CF-1490H-00	..DIAPHRAGM SET 5	1	1		
20	1HX-14231-28	..JET, MAIN (#140)	1	1		
21	3CF-1410A-00	..STARTER SET	1	1		
22	98502-05016	..SCREW, PAN HEAD	4	4		
23	92902-05100	..WASHER, SPRING	4	4		
24	12R-14191-00	..PLUG, DRAIN	1	1		
25	2JU-14937-00	..CLIP	1	1		
26	22F-14991-00	..CAP	1	1		
27	98706-04008	..SCREW, FLAT HEAD	2	2		



4PPI010-5090

FIG. 11 CARBURETOR

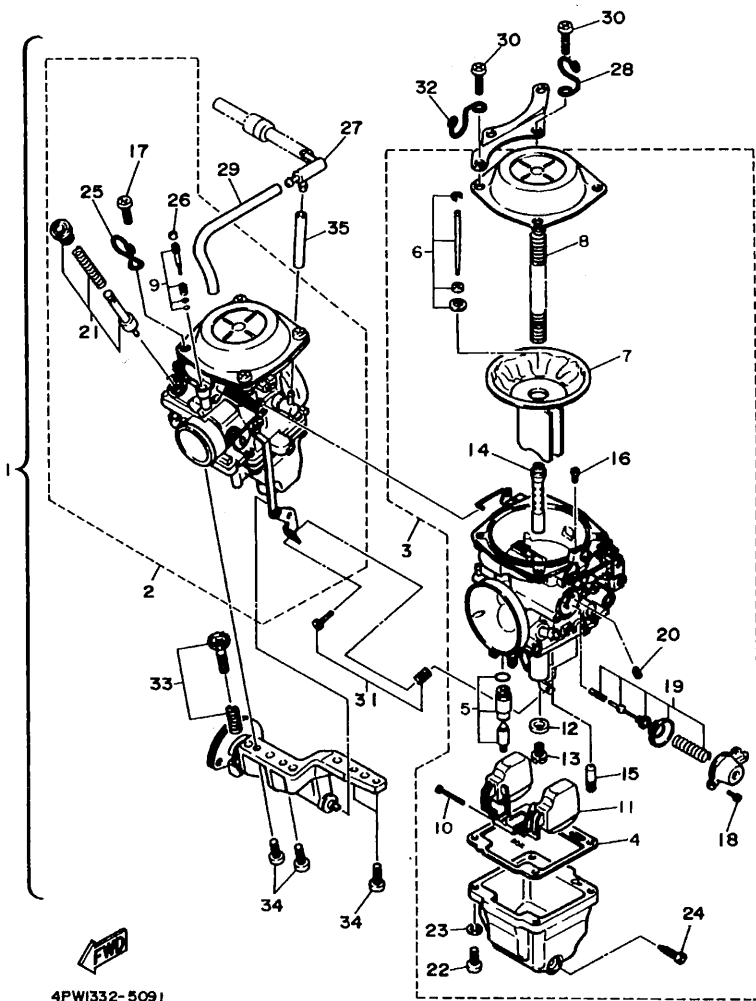
REF. NO.	PART NO.	DESCRIPTION	3LFB	3LFD	3EF7	REMARKS
28	4KG-14995-00	..BRACKET	1	1		
29	3CF-14251-00	.NIPPLE	1	1		
30	3CF-14937-00	.CLIP	1	1		
31	3CG-14197-00	.PIPE	1	1		
32	98507-05012	.SCREW, PAN HEAD	4	4		
33	3CF-1490K-00	.STOP SCREW SET	1	1		
34	3CF-14919-00	.CLIP	1	1		
35	3CF-14103-01	.THROTTLE SCREW SET	1	1		
36	98507-05014	.SCREW, PAN HEAD	4	4		
37	3CF-14197-00	.PIPE	1	1		
38	92907-08100	.WASHER, SPRING	1	1		
39	812-14594-00	.NUT	1	1		
40	4HM-14239-00	.SEAL	1	1		
41	4HM-14216-00	.SCREW	2	2		
42	4HM-85885-10	.THROTTLE POSITION SENSOR ASSY	1	1		



4PFI010-5090

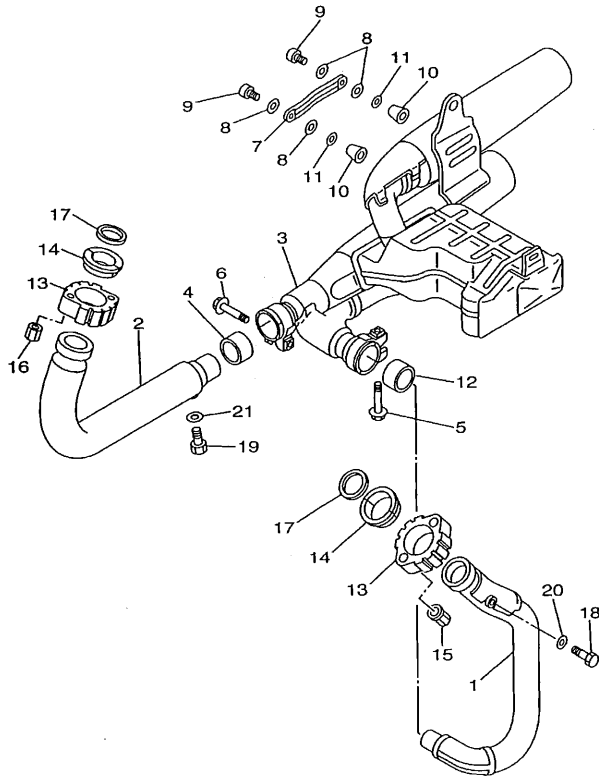
FIG. 12 CARBURETOR 2

REF. NO.	PART NO.	DESCRIPTION	3LPB	3LPD	3EF7	REMARKS
1	3EF-14900-11	CARBURETOR ASSY			1	
2	3EF-14901-11	.CARBURETOR ASSY 1			1	
3	3EF-14902-11	.CARBURETOR ASSY 2			1	
4	3CF-14984-01	.GASKET, FLOAT CHAMBER			1	
5	3CF-14107-15	..NEEDLE VALVE SET			1	
6	3EF-1490J-00	..NEEDLE SET			1	
7	3CF-14940-00	..DIAPHRAGM ASSY			1	
8	3CF-14933-00	..SPRING, DIAPHRAGM			1	
9	12R-14105-00	..PILOT SCREW SET			1	
10	537-14186-00	..PIN, FLOAT			1	
11	2VA-14185-00	..FLOAT			1	
12	137-14153-00	..WASHER, MAIN JET			1	
13	620-14231-25	..JET, MAIN (#125)			1	UR FRONT
	620-1423A-75	..JET, MAIN (#122.5)			1	UR FRONT
14	3CF-14141-93	..NOZZLE, MAIN			1	
15	4G0-14142-37	..JET, PILOT (#37.5)			1	
16	3G2-14231-12	..JET, POWER (# 60)			1	
17	98502-05010	..SCREW, PAN HEAD			4	
18	98502-04008	..SCREW, PAN HEAD			2	
19	3CF-1490H-00	..DIAPHRAGM SET 5			1	
20	1HX-14231-28	..JET, MAIN (#140)			1	
21	3CF-1410A-00	..STARTER SET			1	
22	98502-05014	..SCREW, PAN HEAD			4	
23	92902-05100	..WASHER, SPRING			4	
24	12R-14191-00	..PLUG, DRAIN			1	
25	2JU-14937-00	..CLIP			1	
26	2RJ-14118-00	..CAP			1	



4PW1332-5091

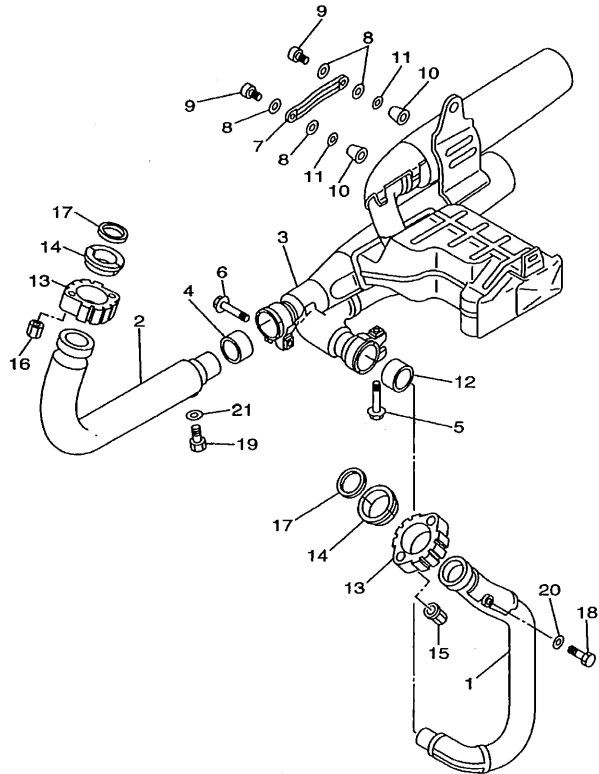
FIG. 13 EXHAUST




3LPB332-6100

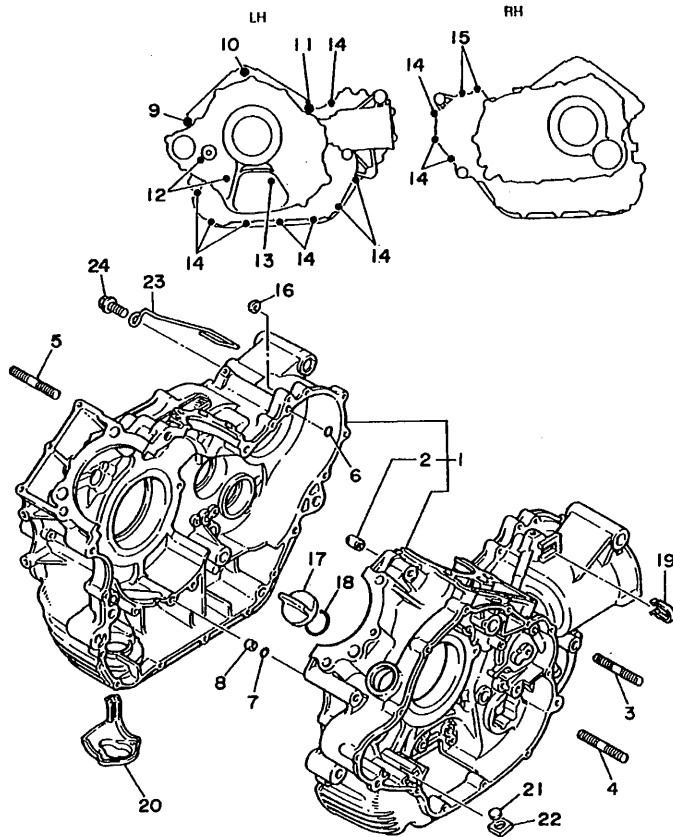
REF. NO.	PART NO.	DESCRIPTION	3LPB	3LPD	3EF7	REMARKS
1	42H-14611-00	PIPE, EXHAUST 1	1	1	1	
2	1TA-14621-00	PIPE, EXHAUST 2	1	1	1	
3	3LP-14711-00	MUFFLER 1	1	1		
	2TN-14711-01	MUFFLER 1			1	
4	3YF-14755-00	GASKET, SILENCER	1	1	1	
5	95027-08045	BOLT, FLANGE	1	1		
	95021-08045	BOLT, FLANGE			1	
6	95027-08045	BOLT, FLANGE	1	1		
	95021-08045	BOLT, FLANGE			1	
7	42X-14748-01	PROTECTOR, MUFFLER 4	1	1	1	
8	4BD-14766-00	WASHER, PROTECTOR	4	4		
	3RW-14766-00	WASHER, PROTECTOR			4	
9	98904-06010	SCREW, BIND	2	2		
	98903-06010	SCREW, BIND			2	
10	42X-1479H-00	COVER, 1	2	2	2	
11	92907-06200	WASHER	2	2		
	92902-06200	WASHER			2	
12	3EG-14714-00	GASKET, MUFFLER	1	1		
	42X-14714-00	GASKET, MUFFLER			1	
13	57A-14612-01	NUT, RING	2	2	2	
14	42X-1468A-00	RING, SILENCER 1	2	2	2	
15	90179-08210	NUT	2	2	2	
16	90179-08673	NUT	2	2	2	
17	3EG-14613-00	GASKET, EXHAUST PIPE	2	2	2	
18	90101-06576	BOLT	1	1	1	
19	90101-06576	BOLT	1	1	1	
20	92990-06600	WASHER, PLATE	1	1	1	

FIG. 13 EXHAUST



3LPB332-6100

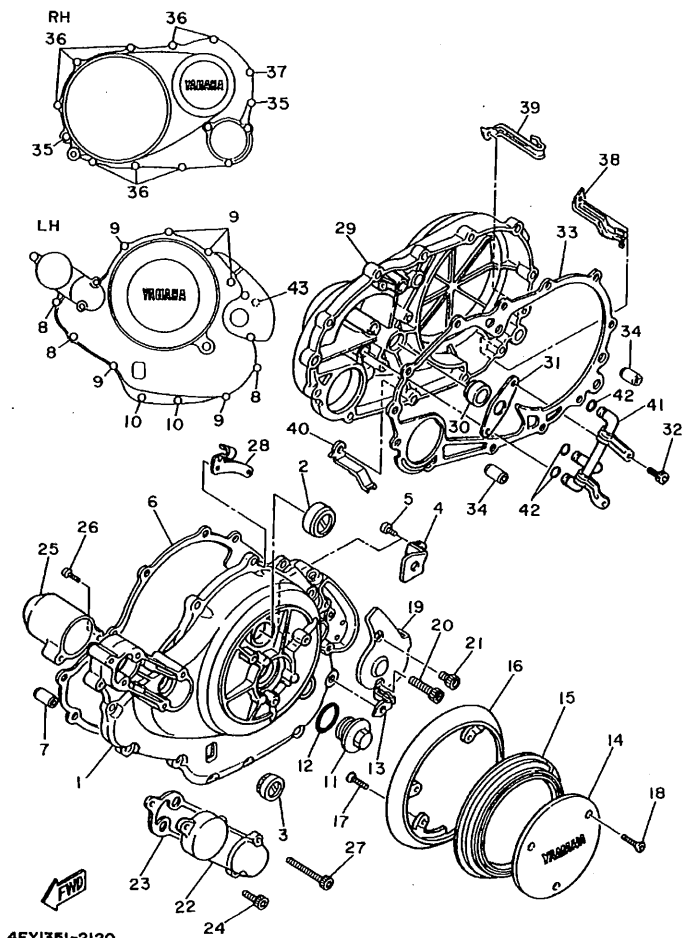
REF. NO.	PART NO.	DESCRIPTION	3LPB	3LPD	3EF7	REMARKS
21	92990-06600	WASHER, PLATE	1	1	1	



FWD
3LP7300-4110

FIG. 14 CRANKCASE

REF. NO.	PART NO.	DESCRIPTION	SLPB	SLPD	SEF7	REMARKS
1	42H-15100-02	CRANKCASE ASSY	1		1	
	42H-15100-01	CRANKCASE ASSY		1		
2	99530-14016	.PIN, DOWEL	3	3	3	
3	95617-10620	BOLT, STUD	1	1	1	
4	95617-10620	BOLT, STUD	1	1	1	
5	95617-10670	BOLT, STUD	1	1	1	
6	93210-07135	O-RING	1	1	1	
7	93210-07135	O-RING	1	1	1	
8	90387-064E8	COLLAR	1	1	1	
9	91317-10100	BOLT	1	1	1	
10	91317-10070	BOLT	1	1	1	
11	91317-10060	BOLT	1	1	1	
12	91317-06080	BOLT	2	2	2	
13	91317-06055	BOLT	1	1	1	
14	91317-06030	BOLT	11	11	11	
15	91314-06030	BOLT	2	2	2	
16	90430-06014	GASKET	1	1	1	
17	57A-15363-11	PLUG, OIL	1	1	1	
18	93210-29198	O-RING	1	1	1	
19	90465-10168	CLAMP	1	1	1	
20	4X7-15491-00	PROTECTOR	1	1	1	
21	4X7-13419-00	PLUG	1	1	1	
22	90480-20302	GROMMET	1	1	1	
23	42X-21164-00	HOLDER, CABLE	1	1	1	
24	90105-10275	BOLT, WASHER BASED	1	1	1	

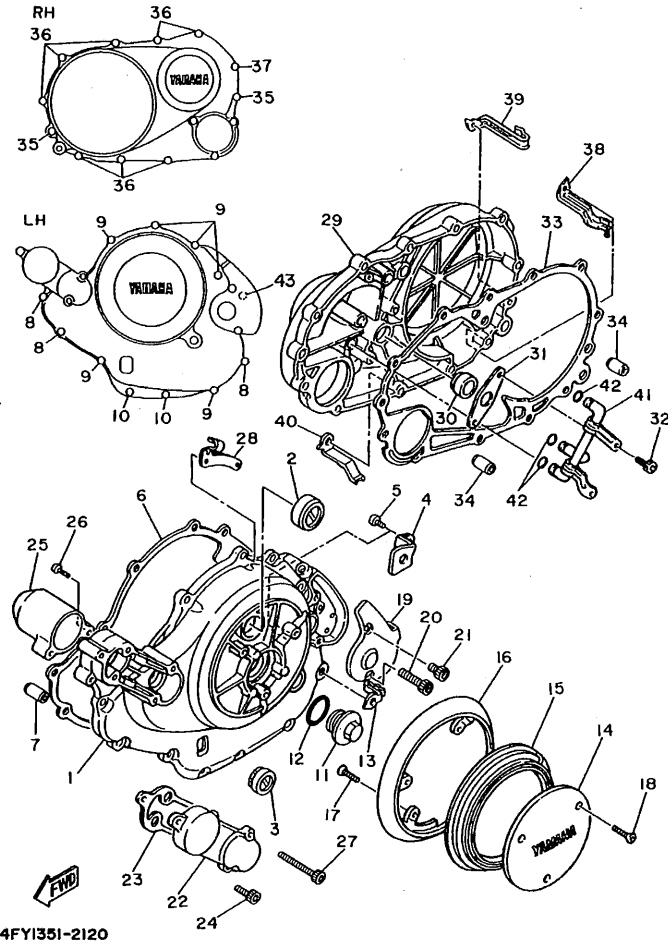


4FY135I-2120

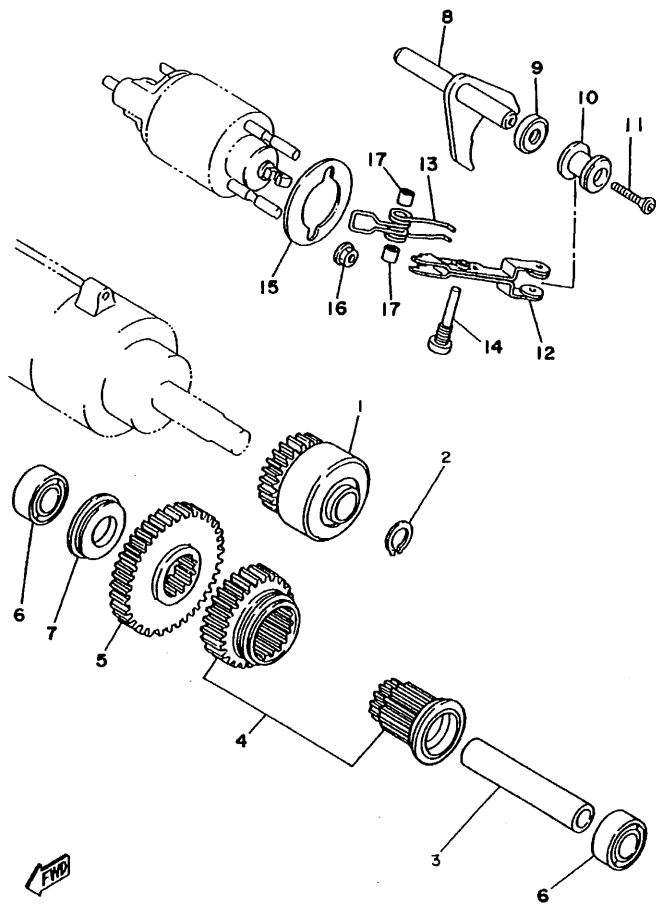
FIG. 15 CRANKCASE COVER 1

REF. NO.	PART NO.	DESCRIPTION	3LPB	3LPD	3LPT	REMARKS
1	1RM-15411-01	COVER, CRANKCASE 1	1	1	1	
2	4X7-15361-00	GAUGE, LEVEL	1	1	1	
3	2H7-15361-00	GAUGE, LEVEL	1	1	1	
4	90465-08309	CLAMP	1	1	1	
5	98507-06010	SCREW, PAN HEAD	1	1	1	
6	3EG-15451-00	GASKET, CRANKCASE COVER 1	1	1	1	
7	99530-10114	PIN, DOWEL	2	2	2	
8	91314-06040	BOLT	3	3	3	
9	91314-06030	BOLT	6	6	6	
10	91314-06020	BOLT	2	2	2	
11	1L9-11186-00	COVER, CYLINDER HEAD SIDE 2	1	1	1	
12	93210-32172	O-RING	1	1	1	
13	90462-08076	CLAMP	1	1	1	
14	1RM-15415-01	COVER, GENERATOR	1	1	1	
15	1RM-15455-00	GASKET 1	1	1	1	
16	3JK-15425-00	COVER, GENERATOR 2	1	1	1	
17	98704-06016	SCREW, FLAT HEAD	3	3	3	
18	98707-06014	SCREW, FLAT HEAD	3	3	3	
19	42X-15417-01	COVER, CAP	1	1	1	
20	91314-06055	BOLT	1	1	1	
21	91314-06016	BOLT	1	1	1	
22	1RM-15419-00	COVER, SHIFTER 1	1	1	1	
23	3EG-15459-00	GASKET, SHIFTER COVER	1	1	1	
24	91314-06016	BOLT	2	2	2	
25	5A8-15429-00	COVER, SHIFTER	1	1	1	
26	98507-06030	SCREW, PAN HEAD	2	2	2	
27	91314-06065	BOLT	1	1	1	

FIG. 15 CRANKCASE COVER 1



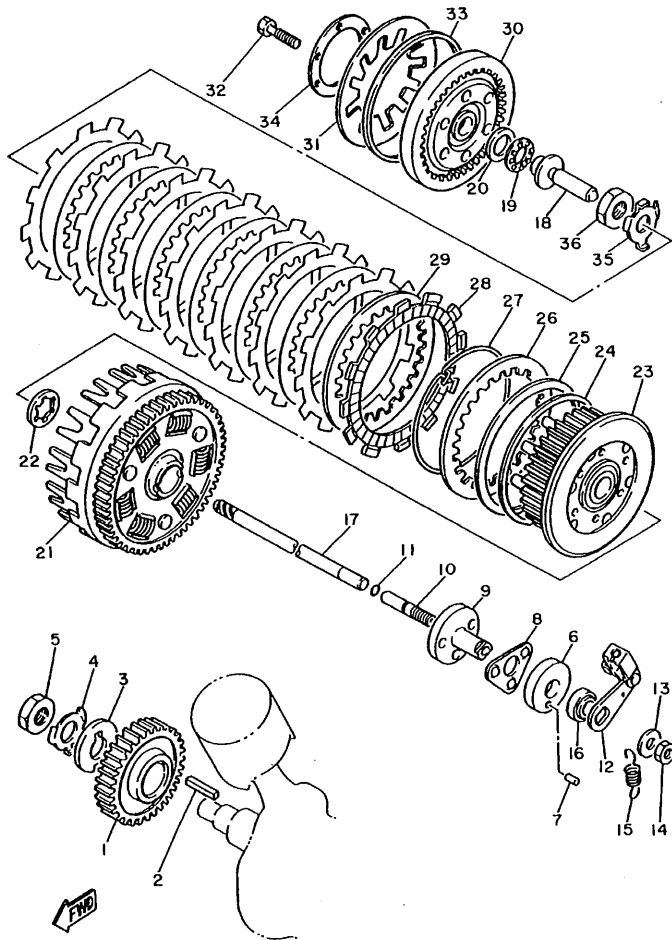
REF. NO.	PART NO.	DESCRIPTION	3LPB	3LPD	3EF7	REMARKS
28	42X-15441-00	HOLDER, CLUTCH CABLE	1	1	1	
29	3JK-W1542-01	COVER, CRANKCASE 3	1	1	1	
30	93101-14102	OIL SEAL	1	1	1	
31	4X7-15388-00	PLATE, BEARING COVER	1	1	1	
32	91317-06016	BOLT	2	2	2	
33	3EG-15462-00	GASKET, CRANKCASE COVER 3	1	1	1	
34	99530-10120	PIN, DOWEL	2	2	2	
35	91314-06040	BOLT	2	2	2	
36	91314-06025	BOLT	8	8	8	
37	91380-06030	BOLT	1	1	1	
38	90462-10143	CLAMP	1	1	1	
39	90462-10085	CLAMP	2	2	2	
40	90462-12142	CLAMP	1	1	1	
41	1RM-13161-00	PIPE, DELIVERY 1	1	1	1	
42	93210-07135	O-RING	3	3	3	
43	90110-06093	BOLT, HEXAGON SOCKET HEAD	1	1	1	



4PW3332-6130

FIG. 16 STARTER CLUTCH

REF. NO.	PART NO.	DESCRIPTION	3LPB	3LPD	3EF7	REMARKS
1	3LP-15570-00	STARTER CLUTCH ASSY	1	1	1	
2	99009-13400	CIRCLIP	1	1	1	
3	4X7-15521-00	SHAFT 1	1	1	1	
4	3LP-W1551-00	GEAR, IDLER SET	1	1	1	
5	1TA-15512-00	GEAR, IDLER 1	1	1	1	
6	90387-172E5	COLLAR	2	2	2	
7	90387-170E5	COLLAR	1	1	1	
8	5A8-15550-00	DRIVE LEVER ASSY	1	1	1	
9	93102-10247	OIL SEAL	1	1	1	
10	5A8-15542-01	COLLAR 2	1	1	1	
11	90151-08013	SCREW, COUNTERSUNK	1	1	1	
12	5A8-15556-00	LEVER, DRIVE	1	1	1	
13	90508-26494	SPRING, TORSION	1	1	1	
14	90149-08166	SCREW	1	1	1	
15	3EG-15568-00	GASKET	1	1	1	
16	95707-06500	NUT, FLANGE	2	2	2	
17	90387-0801M	COLLAR	2	2	2	



ITE110-6140

FIG. 17 CLUTCH

REF. NO.	PART NO.	DESCRIPTION	3LPB	3LPD	3EF7	REMARKS
1	4X7-16111-00	GEAR, PRIMARY DRIVE (47T)	1	1	1	
2	90282-07042	KEY, STRAIGHT	1	1	1	
3	90214-20022	WASHER, CLAW	1	1	1	
4	90215-20182	WASHER, LOCK	1	1	1	
5	90170-20274	NUT	1	1	1	
6	2H7-16396-00	HOUSING, PUSH SCREW	1	1	1	
7	93606-07082	PIN, DOWEL	1	1	1	
8	2H7-16395-01	RETAINER, BALL	1	1	1	
9	2H7-16341-00	SCREW, PUSH	1	1	1	
10	2H7-16343-00	SCREW, ADJUSTING	1	1	1	
11	93210-48364	O-RING	1	1	1	
12	4X7-16340-00	PUSH LEVER ASSY	1	1	1	
13	92907-08200	WASHER	1	1		
	92901-08200	WASHER, PLAIN			1	
14	95307-08700	NUT	1	1		
	95301-08700	NUT			1	
15	90506-10069	SPRING, TENSION	1	1	1	
16	93104-14059	OIL SEAL	1	1	1	
17	4X7-16357-00	ROD, PUSH 2	1	1	1	
18	4X7-16356-00	ROD, PUSH 1	1	1	1	
19	93340-21505	BEARING	1	1	1	
20	90201-151A7	WASHER, PLATE (T=1.0)	1	1	1	
21	4X7-16150-02	PRIMARY DRIVEN GEAR COMP.	1	1	1	
22	3Y1-16154-00	PLATE, THRUST 1	1	1	1	
23	1TA-16371-01	BOSS, CLUTCH	1	1		
	1TA-16371-00	BOSS, CLUTCH			1	
24	4X7-16384-00	PLATE, SEAT	1	1	1	

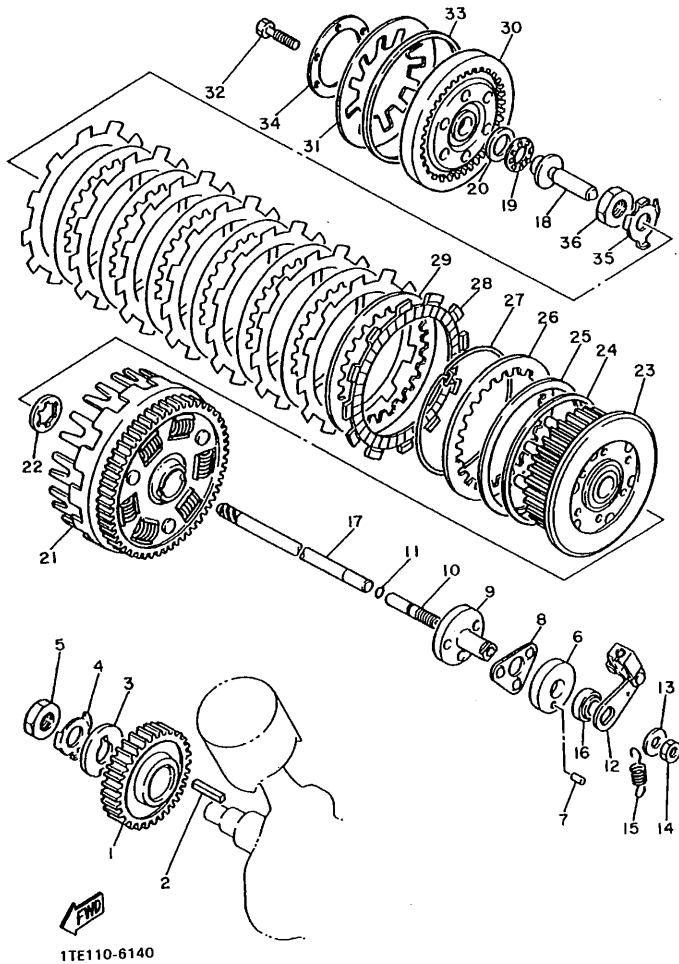
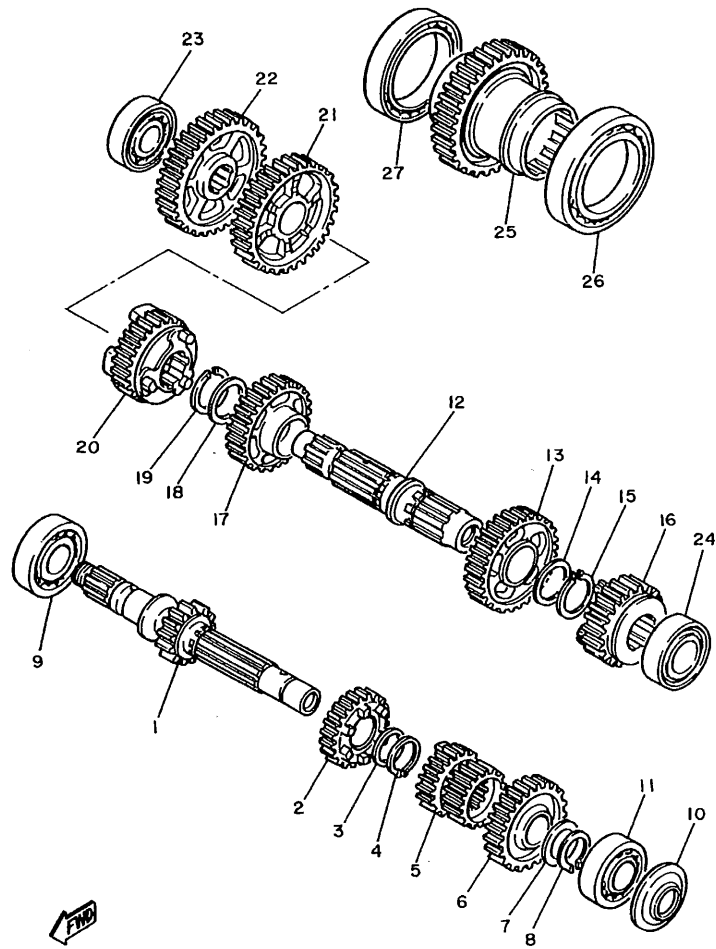


FIG. 17 CLUTCH

REF. NO.	PART NO.	DESCRIPTION	3LPB	3LPD	3EF7	REMARKS
25	4X7-16383-01	SPRING, CLUTCH BOSS	1	1	1	
26	4X7-16324-00	PLATE, CLUTCH 1	1	1	1	
27	4X7-16385-00	RING, CLUTCH BOSS	1	1	1	
28	22U-16321-00	PLATE, FRICTION	8	8	8	
29	1TA-16325-00	PLATE, CLUTCH 2	7	7	7	
30	1TA-16351-01	PLATE, PRESSURE 1	1	1	1	
31	1TA-16334-00	SPRING, CLUTCH 2	1	1	1	
32	97027-06025	BOLT	6	6	6	
33	1TA-16335-00	HOUSING, SPRING	1	1	1	
34	1TA-16352-00	PLATE, PRESSURE 2	1	1	1	
35	90215-20170	WASHER, LOCK	1	1	1	
36	90170-20257	NUT	1	1	1	



5E3171-1170

FIG. 18 TRANSMISSION

REF. NO.	PART NO.	DESCRIPTION	3LPB	3LPD	3EF7	REMARKS
1	1TA-17411-00	AXLE, MAIN	1	1	1	
2	4X7-17141-00	GEAR, 4TH PINION (31T)	1	1	1	
3	90209-22191	WASHER	1	1	1	
4	99009-25400	CIRCLIP	1	1	1	
5	4X7-17121-00	GEAR, 2ND/3RD PINION (24T/28T)	1	1	1	
6	42X-17151-00	GEAR, 5TH PINION (34T)	1	1	1	
7	90201-20276	WASHER, PLATE (1.0T)	1	1	1	
8	99009-20400	CIRCLIP	1	1	1	
9	93306-30525	BEARING (B6305)	1	1	1	
10	93104-20068	OIL SEAL	1	1	1	
11	93306-30424	BEARING (B6304A3)	1	1	1	
12	4X7-17402-00	DRIVE AXLE ASSY	1	1	1	
13	4X7-17221-00	GEAR, 2ND WHEEL (40T)	1	1	1	
14	90209-27192	WASHER	1	1	1	
15	93440-30077	CIRCLIP	1	1	1	
16	42X-17251-00	GEAR, 5TH WHEEL (29T)	1	1	1	
17	4X7-17231-00	GEAR, 3RD WHEEL (36T)	1	1	1	
18	90209-27192	WASHER	1	1	1	
19	93440-30077	CIRCLIP	1	1	1	
20	4X7-17241-00	GEAR, 4TH WHEEL (32T)	1	1	1	
21	1TA-17211-00	GEAR, 1ST WHEEL (39T)	1	1	1	
22	4PP-17582-00	GEAR, MIDDLE DRIVE (46T)	1	1	1	
23	93306-20401	BEARING (B6204)	1	1	1	
24	93306-20550	BEARING (B6205DU8)	1	1	1	
25	4PP-17583-00	GEAR, MIDDLE DRIVEN (45T)	1	1	1	
26	93316-01201	BEARING (B16012)	1	1	1	
27	93306-91201	BEARING (B6912)	1	1	1	

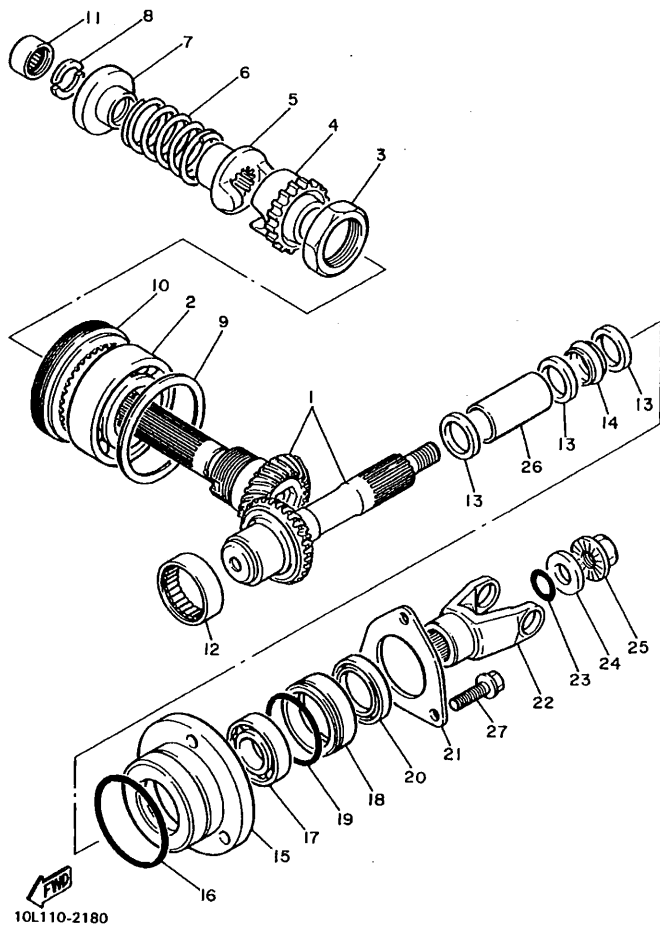


FIG. 19 MIDDLE DRIVE GEAR

REF. NO.	PART NO.	DESCRIPTION	3LPB	3LPD	3EF7	REMARKS
1	1TA-Y1757-00	MIDDLE GEAR COMP.	1	1	1	
2	93306-20901	BEARING (B6209RSH2-C2)	1	1	1	
3	90179-44328	NUT	1	1	1	
4	42X-17526-01	CAM, DRIVE	1	1	1	
5	31A-17527-00	CAM, DRIVEN	1	1	1	
6	90501-70762	SPRING, COMPRESSION	1	1	1	
7	4X7-17524-00	HOLDER	1	1	1	
8	3H5-17529-00	WASHER, THRUST	2	2	2	
9	4X7-17531-00-15	SHIM, PINION (0.15T)	1	1	1	UR
	4X7-17531-00-30	SHIM, PINION (0.30T)	1	1	1	UR
	4X7-17531-00-50	SHIM, PINION (0.50T)	1	1	1	UR
10	90179-88336	NUT	1	1	1	
11	93317-22021	BEARING	1	1	1	
12	93311-44051	BEARING	1	1	1	
13	90201-255A6	WASHER, PLATE	3	3	3	
14	1J7-46129-Y1	SPACER, EXPANSION	1	1	1	
15	4X7-17551-00	HOUSING, BEARING	1	1	1	
16	93210-71360	O-RING	1	1	1	
17	93306-20548	BEARING (B6205RC2)	1	1	1	
18	4X7-17554-00	RETAINER, BEARING	1	1	1	
19	93210-52449	O-RING	1	1	1	
20	93101-35099	OIL SEAL	1	1	1	
21	4X7-17558-00	PLATE, BEARING	1	1	1	
22	4X7-17556-00	YOKE, JOINT	1	1	1	
23	93210-14359	O-RING	1	1	1	
24	90201-14633	WASHER, PLATE	1	1	1	
25	90179-14317	NUT	1	1	1	

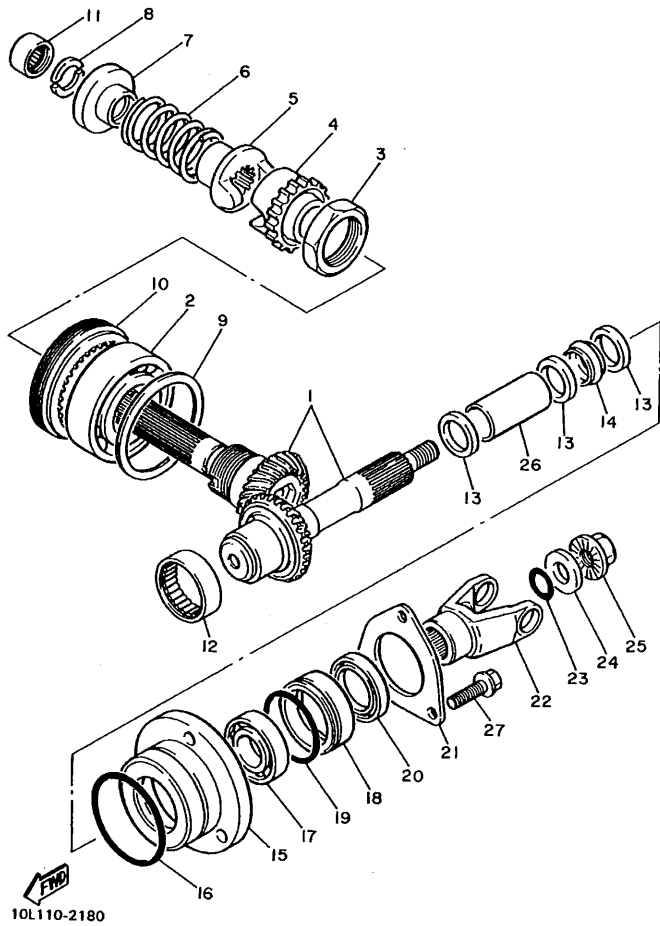


FIG. 19 MIDDLE DRIVE GEAR

REF. NO.	PART NO.	DESCRIPTION	3LPB	3LPD	3EF7	REMARKS
26	90387-251E1	COLLAR	1	1	1	
27	95827-08030	BOLT, FLANGE	3	3		
	95821-08030	BOLT, FLANGE			3	

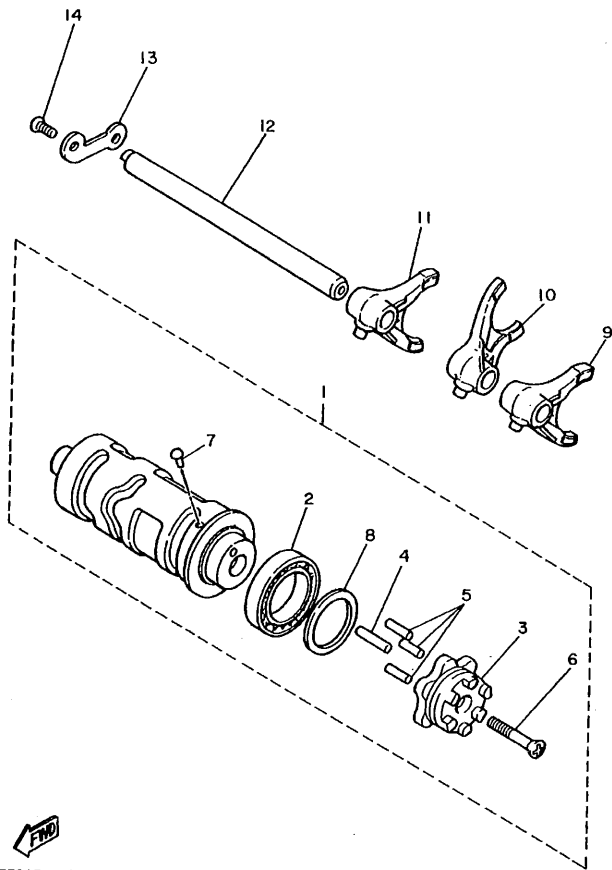
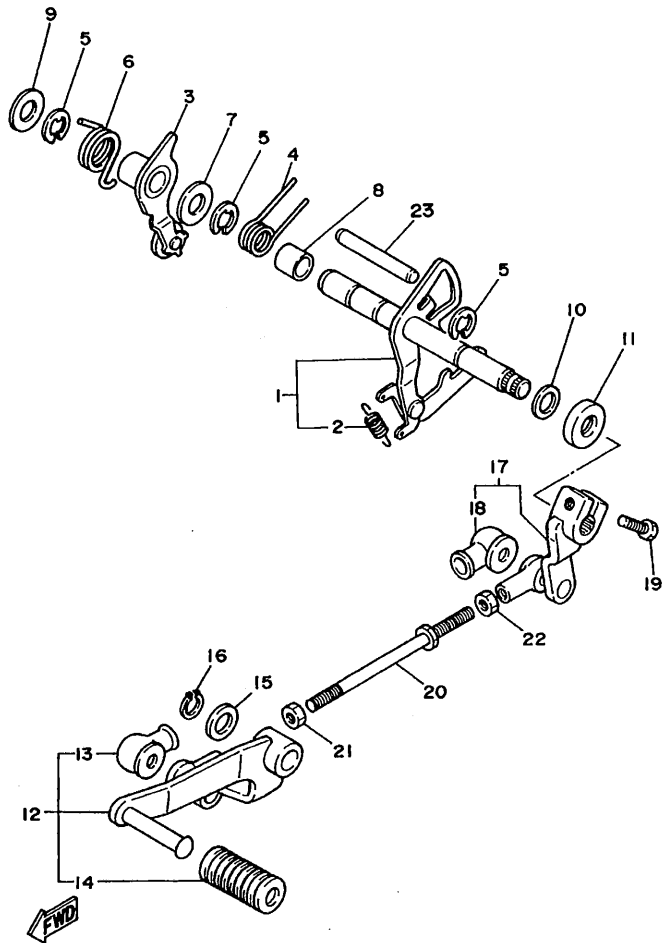


FIG. 20 SHIFT CAM. FORK

REF. NO.	PART NO.	DESCRIPTION	3LPB	3LPD	3EF7	REMARKS
1	4X7-18540-01	SHIFT CAM ASSY	1	1	1	
2	93306-90602	.BEARING	1	1	1	
3	4G0-18185-01	.SEGMENT	1	1	1	
4	93604-20156	.PIN, DOWEL	1	1	1	
5	93604-16092	.PIN, DOWEL	3	3	3	
6	98701-05035	.SCREW, FLAT HEAD	1	1	1	
7	136-18542-00	.POINT, NEUTRAL	1	1	1	
8	90201-30297	.WASHER, PLATE	1	1	1	
9	4X7-18511-00	FORK, SHIFT 1	1	1	1	
10	4X7-18512-00	FORK, SHIFT 2	1	1	1	
11	4X7-18513-00	FORK, SHIFT 3	1	1	1	
12	4X7-18531-00	BAR, SHIFT FORK GUIDE 1	1	1	1	
13	4X7-18536-00	STOPPER, SHIFT BAR	1	1	1	
14	90151-06041	SCREW, COUNTERSUNK	2	2	2	

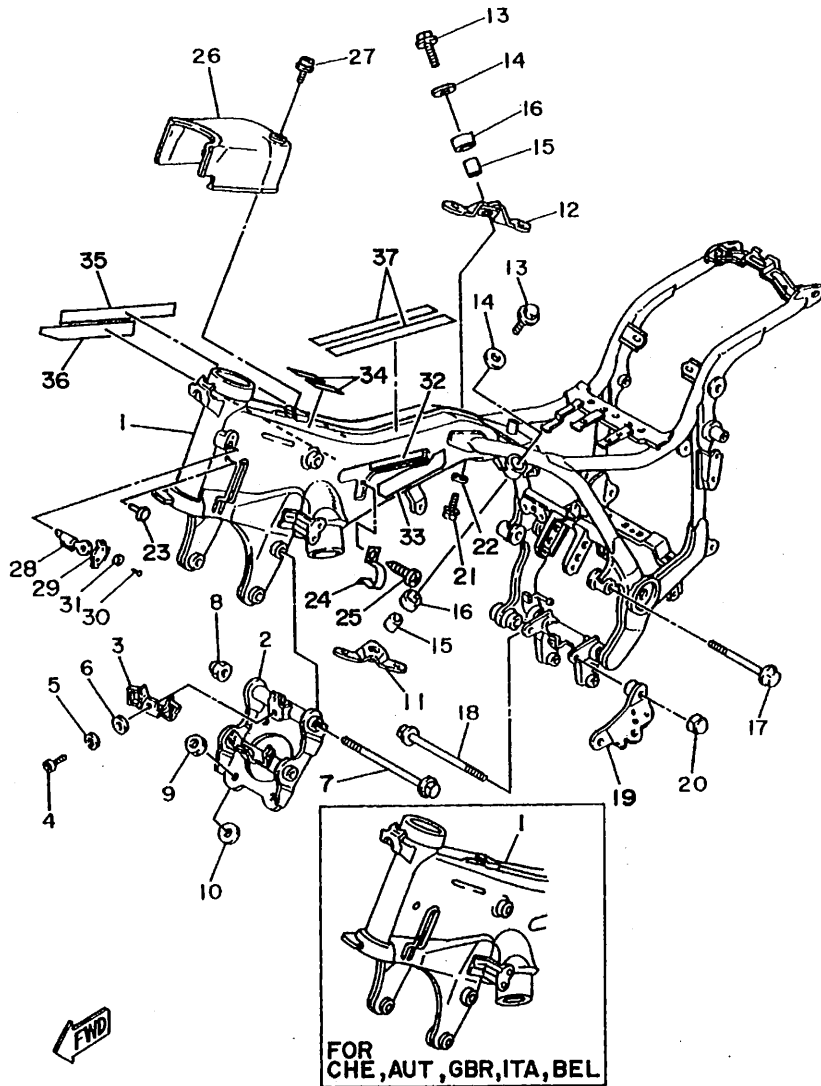
5E3171-1190



3EF2361-9180

FIG. 21 SHIFT SHAFT

REF. NO.	PART NO.	DESCRIPTION	3LPB	3LPD	3EF7	REMARKS
1	4X7-18120-01	SHIFT LEVER ASSY	1	1	1	
2	90506-08227	.SPRING, TENSION	1	1	1	
3	4X7-18140-00	STOPPER LEVER ASSY	1	1	1	
4	90508-32535	SPRING, TORSION	1	1	1	
5	99001-10600	CIRCLIP	3	3	3	
6	90508-29531	SPRING, TORSION	1	1	1	
7	90201-12588	WASHER, PLATE	1	1	1	
8	90387-124F4	COLLAR	1	1	1	
9	90201-12588	WASHER, PLATE	1	1	1	
10	90201-12166	WASHER, PLATE	1	1	1	
11	93102-12106	OIL SEAL (SD 12-22-5 HS)	1	1	1	
12	42X-18110-01	SHIFT PEDAL ASSY	1	1	1	
13	2H9-18154-00	.COVER, DUST	1	1	1	
14	132-18113-01	.COVER, SHIFT PEDAL	1	1	1	
15	90201-12688	WASHER, PLATE	1	1	1	
16	99009-12400	CIRCLIP	1	1	1	
17	42X-18112-01	ARM, SHIFT	1	1	1	
18	2H9-18154-00	.COVER, DUST	1	1	1	
19	97024-06020	BOLT	1	1	1	
20	29L-18115-00	ROD, SHIFT	1	1	1	
21	90170-06228	NUT (COUNTER CLOCKWISE)	1	1	1	
22	95304-06700	NUT	1	1		
	95303-06700	NUT			1	
23	93608-50158	PIN, DOWEL	1	1	1	



3LPE300-7220

FIG. 22 FRAME

REF. NO.	PART NO.	DESCRIPTION	3LPB	3LPD	3EF7	REMARKS
1	3LP-21110-00-33	FRAME COMP.	1			UR YB
	2EM-21110-00-33	FRAME COMP.	1	1	1	UR YB FOR BEL,GBR, ITA,AUT
	3CF-21110-00-33	FRAME COMP.			1	UR YB FOR CHE
2	42X-21317-00	STAY, ENGINE 3	1	1	1	
3	42X-21359-00	BRACKET, COIL	1	1	1	
4	98507-06012	SCREW, PAN HEAD	1	1		
	92506-06012	SCREW			1	
5	92907-06100	WASHER, SPRING	1	1		
	92906-06100	WASHER, SPRING			1	
6	92907-06600	WASHER, PLATE	1	1		
	92906-06600	WASHER, PLATE			1	
7	90105-10297	BOLT, WASHER BASED	2	2	2	
8	90176-10075	NUT, CROWN	2	2	2	
9	90179-12657	NUT	4	4	4	
10	90201-125A3	WASHER, PLATE	4	4	4	
11	42X-21315-01	STAY, ENGINE 2	1	1	1	
12	42X-21316-01	STAY, ENGINE 3	1	1	1	
13	90105-10298	BOLT, WASHER BASED	2	2	2	
14	90201-105H3	WASHER, PLATE	2	2	2	
15	90387-100E2	COLLAR	2	2	2	
16	4X7-21485-00	DAMPER, RUBBER 1	2	2	2	
17	90105-10299	BOLT, WASHER BASED	2	2	2	
18	90105-10300	BOLT, WASHER BASED	1	1	1	
19	42X-21458-01	BRACKET, SIDE STAND	1	1	1	
20	90176-10075	NUT, CROWN	2	2	2	
21	90105-06069	BOLT, WASHER BASED	1	1	1	
22	90202-05193	WASHER, PLATE	1	1	1	

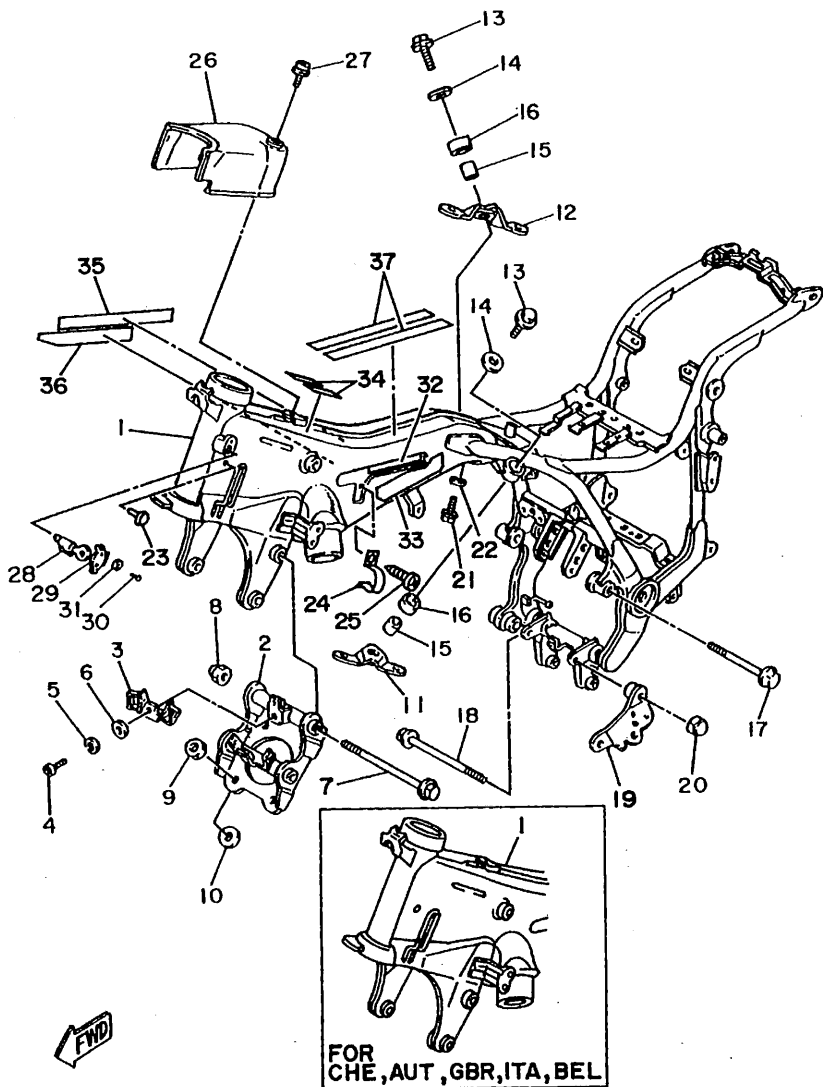
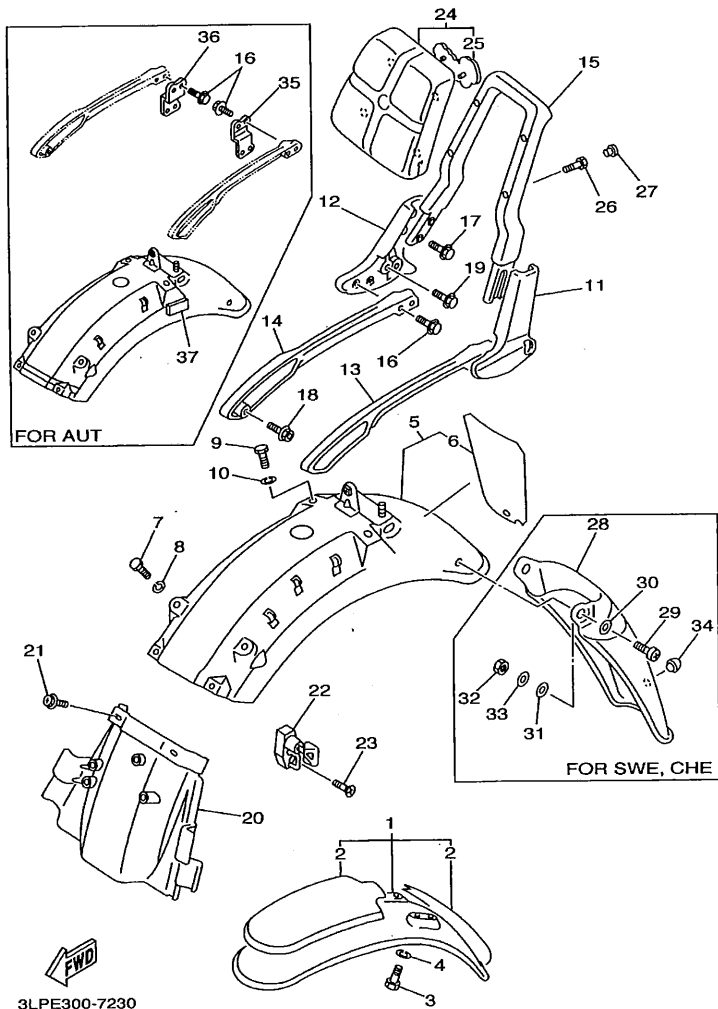


FIG. 22 FRAME

REF. NO.	PART NO.	DESCRIPTION	3LPB	3LPD	3EF7	REMARKS
23	90338-07043	PLUG	2	2	2	
24	90462-08138	CLAMP	2	2	2	
25	97707-50508	SCREW, TAPPING	2	2		
	97706-50508	SCREW, TAPPING			2	
26	2AE-2139R-00	COVER 2	1			UR
	42X-2139R-00	COVER 2	1	1	1	UR FOR BEL,GBR,ITA, GRC,PRT
27	90159-06058	SCREW, WITH WASHER	1	1	1	
28	*	STEERING LOCK ASSY	1			LMFORGRC,PRT,SWE
29	134-23484-10	CAP, HANDLE LOCK	1			FOR GRC,PRT,SWE
30	90269-04003	RIVET	1			FOR GRC,PRT,SWE
31	90208-04029	WASHER, CONICAL SPRING	1			FOR GRC,PRT,SWE
32	4PW-2139U-00	DAMPER 2	1	1		
33	4PW-2139U-10	DAMPER 2	1	1		
34	4PW-2139U-20	DAMPER 2	2	2		
35	4PW-2139X-00	DAMPER	1	1		
36	4PW-2139X-10	DAMPER	1	1		
37	4PW-2139X-20	DAMPER	2	2		

3LPE300-7220



3LPE300-7230

FIG. 23 FENDER

REF. NO.	PART NO.	DESCRIPTION	3LFB	3LPD	3EF7	REMARKS
1	1MY-Y2151-90-PA	FRONT FENDER COMP.	1	1	1	UR VDBM3
	1MY-Y2151-50-JW	FRONT FENDER COMP.	1	1	1	UR URB
2	3JK-21570-21	.GRAPHIC SET, FRONT FENDER	1	1	1	UR FOR VDBM3
	4PW-21570-01	.GRAPHIC SET, FRONT FENDER	1	1	1	UR FOR URB
3	97027-06012	BOLT	4	4	4	
4	92907-06100	WASHER, SPRING	4	4	4	
5	3EF-Y2161-C0-P1	REAR FENDER COMP.	1	1	1	UR VDBM3 FOR SWE
	1RM-Y2161-T1-P3	REAR FENDER COMP.	1	1	1	UR VDBM3 FOR AUT, EXCEPT FOR SWE
	3EF-Y2161-80-JW	REAR FENDER COMP.	1	1	1	UR URB FOR SWE
	1RM-Y2161-R1-JW	REAR FENDER COMP.	1	1	1	UR URB FOR AUT, EXCEPT FOR SWE
6	3JK-21675-10	.GRAPHIC, REAR FENDER	1	1	1	UR FOR VDBM3
	4PW-21675-00	.GRAPHIC, REAR FENDER	1	1	1	UR FOR URB
7	97027-06012	BOLT	2	2	2	
8	92907-06100	WASHER, SPRING	2	2	2	
9	97027-08012	BOLT	2	2	2	
10	92907-08100	WASHER, SPRING	2	2	2	
11	1RM-2164F-00	STAY 1	1	1	1	
12	1RM-2164G-00	STAY 2	1	1	1	
13	3JK-2164H-00	STAY 3	1	1	1	
14	3JK-2164J-00	STAY 4	1	1	1	
15	42H-2164A-02	GRIP 1	1	1	1	
16	95817-06016	BOLT, FLANGE	4	4	4	UR
	92017-06020	BOLT, BUTTON HEAD			4	UR FOR AUT
17	95827-06016	BOLT, FLANGE	4	4	4	
18	90149-08225	SCREW	2	2	2	
19	90105-T0217	BOLT, WASHER BASED	2	2	2	
20	42X-21629-00	GUARD, MUD	1	1	1	

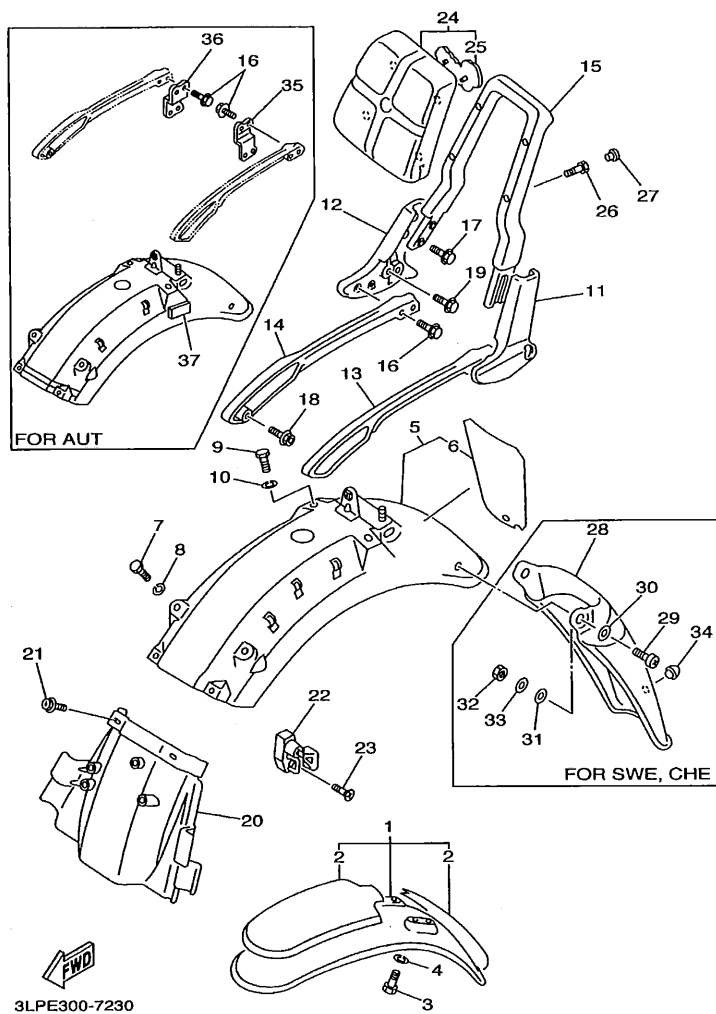
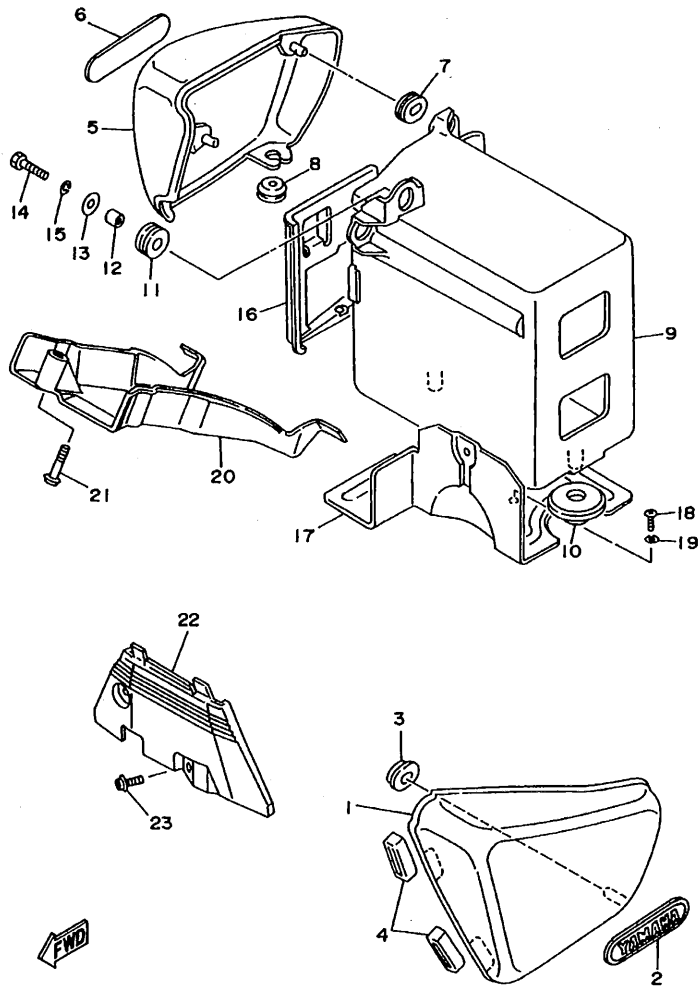


FIG. 23 FENDER

REF. NO.	PART NO.	DESCRIPTION	3LPB	3LPD	3EF7	REMARKS
21	90159-06128	SCREW, WITH WASHER	2	2	2	
22	4R8-21308-00	HELMET HANGER ASSY	1	1	1	
23	90149-06154	SCREW	1	1	1	
24	1TA-2840F-00	BACK REST ASSY	1	1	1	
25	42H-24786-00	.EMBLEM	1	1	1	
26	91317-06035	BOLT	4	4	4	
27	90338-06162	PLUG	4	4	4	
28	3EF-21621-00	FLAP	1		1	FOR SWE,CHE
29	98507-06012	SCREW, PAN HEAD	2		2	FOR SWE,CHE
30	92907-06600	WASHER, PLATE	2		2	FOR SWE,CHE
31	90202-05193	WASHER, PLATE	2		2	FOR SWE,CHE
32	95307-06600	NUT	2		2	FOR SWE,CHE
33	92907-06200	WASHER	2		2	FOR SWE,CHE
34	4G0-21639-00	DAMPER 2	1		1	FOR SWE,CHE
35	4GK-21688-00	BRACKET, REAR STAY			1	FOR AUT
36	4GK-21689-00	BRACKET, REAR STAY 2			1	FOR AUT
37	1JK-21735-00	SEAL 2			2	FOR AUT

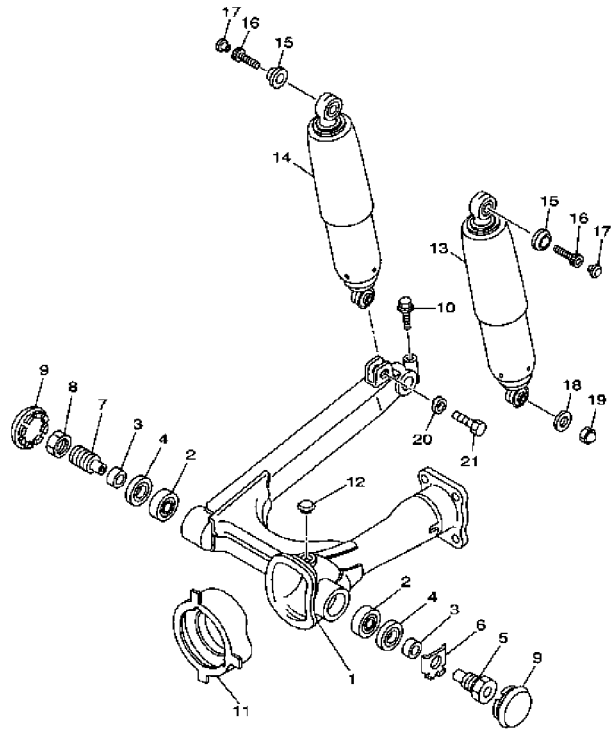


3LPB332-6210

FIG. 24 SIDE COVER

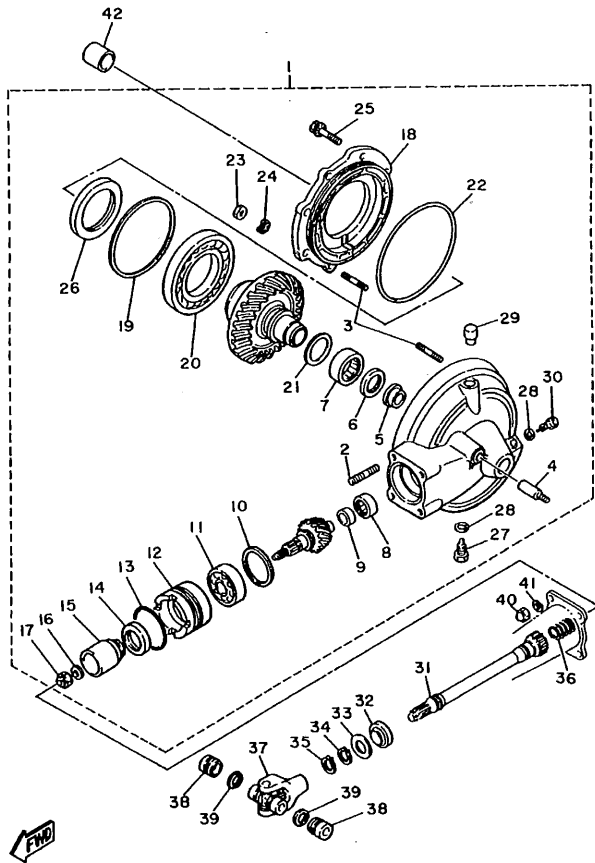
REF. NO.	PART NO.	DESCRIPTION	3LPB	3LPD	3EF7	REMARKS
1	42X-21711-00-P3	COVER, SIDE 1	1	1	1	UR VDBM3
	42X-21711-00-JW	COVER, SIDE 1	1	1	1	UR URB
2	3LS-21781-00	EMBLEM 1	1	1	1	
3	90480-01141	GROMMET	1	1	1	
4	3LP-21717-00	DAMPER	2	2	2	
5	42X-21721-00-P3	COVER, SIDE 2	1	1	1	UR VDBM3
	42X-21721-00-JW	COVER, SIDE 2	1	1	1	UR URB
6	3LS-21781-00	EMBLEM 1	1	1	1	
7	90480-01141	GROMMET	2	2	2	
8	90480-12053	GROMMET	1	1	1	
9	42X-21171-00	BOX	1	1	1	
10	90480-20384	GROMMET	2	2	2	
11	90480-16233	GROMMET	1	1	1	
12	90387-07674	COLLAR	1	1	1	
13	90201-06380	WASHER, PLATE	1	1	1	
14	97007-06020	BOLT	1	1	1	
15	92907-06100	WASHER, SPRING	1	1	1	
16	42X-28185-00	LID	1	1	1	
17	42X-2172W-02	COVER	1	1	1	
18	98507-06010	SCREW, PAN HEAD	2	2	2	
19	92907-06100	WASHER, SPRING	2	2	2	
20	42X-2176E-00	PLATE	1	1	1	
21	90159-06110	SCREW, WITH WASHER	1	1	1	
22	42X-2117F-00	COVER	1	1	1	
23	90159-06071	SCREW, WITH WASHER	2	2	2	

FIG. 25 REAR ARM. SUSPENSION




4XN8171-9220

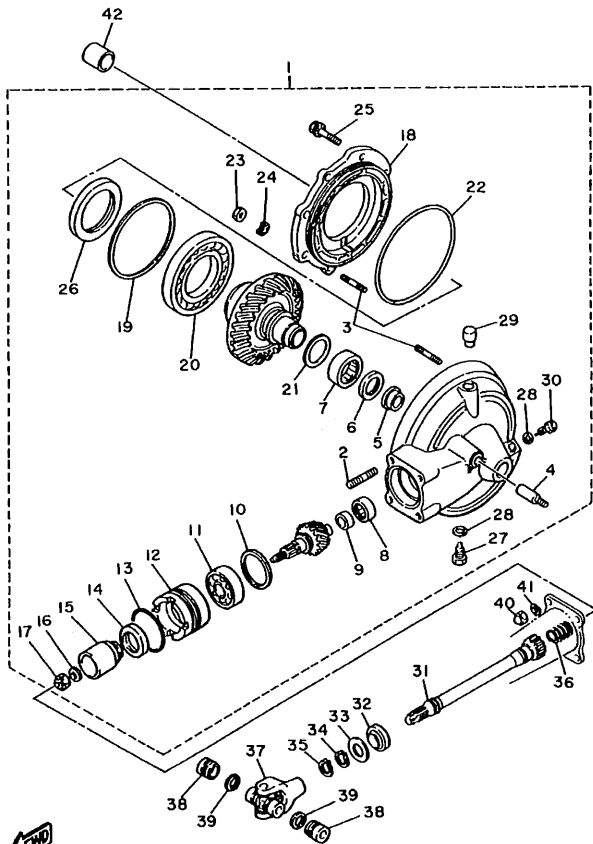
REF. NO.	PART NO.	DESCRIPTION	3LPB	3LPD	3EF7	REMARKS
1	1RM-22110-01-35	REAR ARM COMP.	1	1	1	SL
2	93332-00010	BEARING	2	2	2	
3	90387-17543	COLLAR	2	2	2	
4	93102-25017	OIL SEAL	2	2	2	
5	42X-22141-00	SHAFT, PIVOT	1	1	1	
6	90215-22238	WASHER, LOCK	1	1	1	
7	1J7-22141-00	SHAFT, PIVOT	1	1	1	
8	1J7-22143-00	NUT	1	1	1	
9	2H7-2219X-00	COVER	2	2	2	
10	95024-08035	BOLT, FLANGE	1	1	1	
11	4X7-22189-01	BOOT, RUBBER	1	1	1	
12	90338-20113	PLUG	1	1	1	
13	3JK-22210-10	SHOCK ABSORBER ASSY, REAR	1	1	1	
14	3JK-22220-10	SHOCK ABSORBER ASSY, REAR	1	1	1	
15	57A-22243-01	WASHER 1	2	2	2	
16	91317-08020	BOLT	2	2	2	
17	90338-08163	PLUG	2	2	2	
18	90201-105R9	WASHER, PLATE	1	1	1	
19	90176-10073	NUT, CROWN	1	1	1	
20	92903-10100	WASHER, SPRING	1	1	1	
21	90106-10052	BOLT	1	1	1	



1TE110-6230

FIG. 26 DRIVE SHAFT

REF. NO.	PART NO.	DESCRIPTION	3LPB	3LPD	3EF7	REMARKS
1	56W-46101-02	REAR AXLE GEAR CASE ASSY	1	1	1	
2	90116-10362	.BOLT, STUD	4	4	4	
3	90116-08360	.BOLT, STUD	6	6	6	
4	90116-10249	.BOLT, STUD	1	1	1	
5	4H7-46153-00	.COLLAR, GUIDE	1	1	1	
6	93101-30084	.OIL SEAL	1	1	1	
7	93311-43729	.BEARING	1	1	1	
8	93317-41510	.BEARING	1	1	1	
9	2H7-46122-00	.RACE, INNER	1	1	1	
10	1J7-17537-Y0-30	.SHIM, THRUST (0.30T)	1	1	1	UR
	1J7-17537-Y0-40	.SHIM, THRUST (0.40T)	1	1	1	UR
	1J7-17537-Y0-50	.SHIM, THRUST (0.50T)	1	1	1	UR
11	93306-30533	.BEARING (B6305RB1 SPECIAL)	1	1	1	
12	4H7-46125-00	.RETAINER, BEARING	1	1	1	
13	93210-60426	.O-RING	1	1	1	
14	93101-38098	.OIL SEAL	1	1	1	
15	4H7-46123-00	.COUPLING, GEAR	1	1	1	
16	90201-14632	.WASHER, PLATE	1	1	1	
17	90185-14070	.NUT, SELF-LOCKING	1	1	1	
18	4H7-46152-00	.HOUSING, BEARING	1	1	1	
19	1J7-46117-Y0-25	.SHIM, RING GEAR (0.25T)	1	1	1	UR
	1J7-46117-Y0-30	.SHIM, RING GEAR (0.30T)	1	1	1	UR
	1J7-46117-Y0-40	.SHIM, RING GEAR (0.40T)	1	1	1	UR
	1J7-46117-Y0-50	.SHIM, RING GEAR (0.50T)	1	1	1	UR
20	93316-01403	.BEARING	1	1	1	
21	22U-46118-00-12	.SHIM, THRUST (1.2T)	1	1	1	UR
	22U-46118-00-14	.SHIM, THRUST (1.4T)	1	1	1	UR



1TE110-8230

FIG. 26 DRIVE SHAFT

REF. NO.	PART NO.	DESCRIPTION	8LPB	3LPD	REF7	REMARKS
21	22U-46118-00-16	.SHIM, THRUST (1.6T)	1	1	1	UR
	22U-46118-00-18	.SHIM, THRUST (1.8T)	1	1	1	UR
	22U-46118-00-20	.SHIM, THRUST (2.0T)	1	1	1	UR
22	93211-44348	.O-RING	1	1	1	
23	95311-08600	.NUT	6	6	6	
24	92901-08700	.WASHER, WAVE	6	6	6	
25	95821-10025	.BOLT, FLANGE	2	2	2	
26	93102-70167	.OIL SEAL	1	1	1	
27	90340-14109	.PLUG, STRAIGHT SCREW	1	1	1	
28	214-11198-01	.GASKET	2	2	2	
29	56W-17590-00	.BREATHER COMP.	1	1	1	
30	90340-14042	.PLUG, STRAIGHT SCREW	1	1	1	
31	4X7-46172-00	SHAFT, DRIVE	1	1	1	
32	93108-23007	OIL SEAL	1	1	1	
33	90201-231A2	WASHER, PLATE	1	1	1	
34	93410-23056	CIRCLIP	1	1	1	
35	93410-22039	CIRCLIP	1	1	1	
36	90501-16491	SPRING, COMPRESSION	1	1	1	
37	4X7-46180-00	CROSS JOINT COMP.	1	1	1	
38	93311-21044	BEARING	2	2	2	
39	93440-20088	CIRCLIP	2	2	2	
40	90176-10075	NUT, CROWN	4	4	4	
41	92903-10100	WASHER, SPRING	4	4	4	
42	90387-172A5	COLLAR	1	1	1	

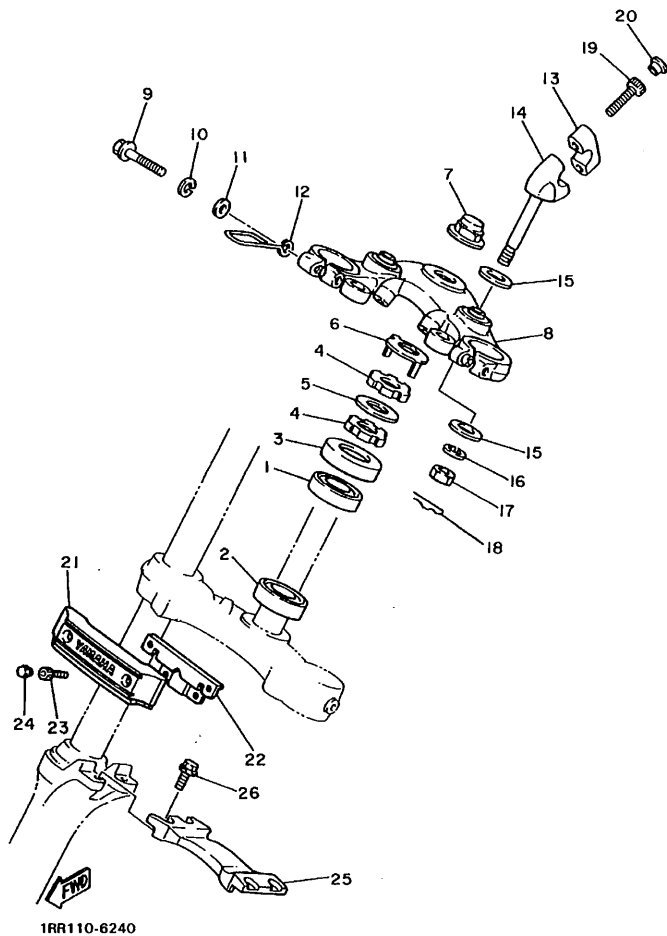
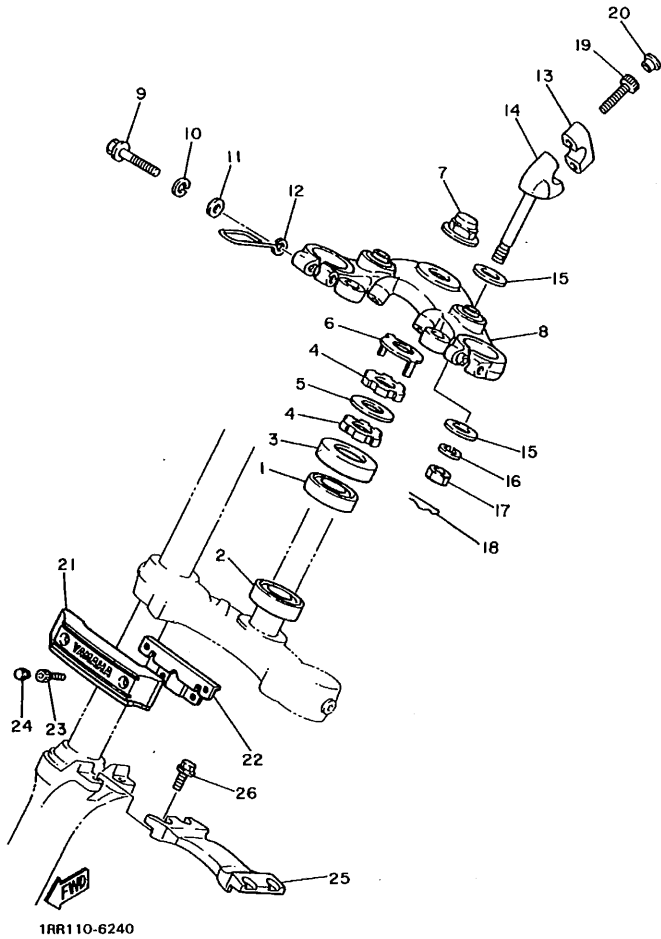


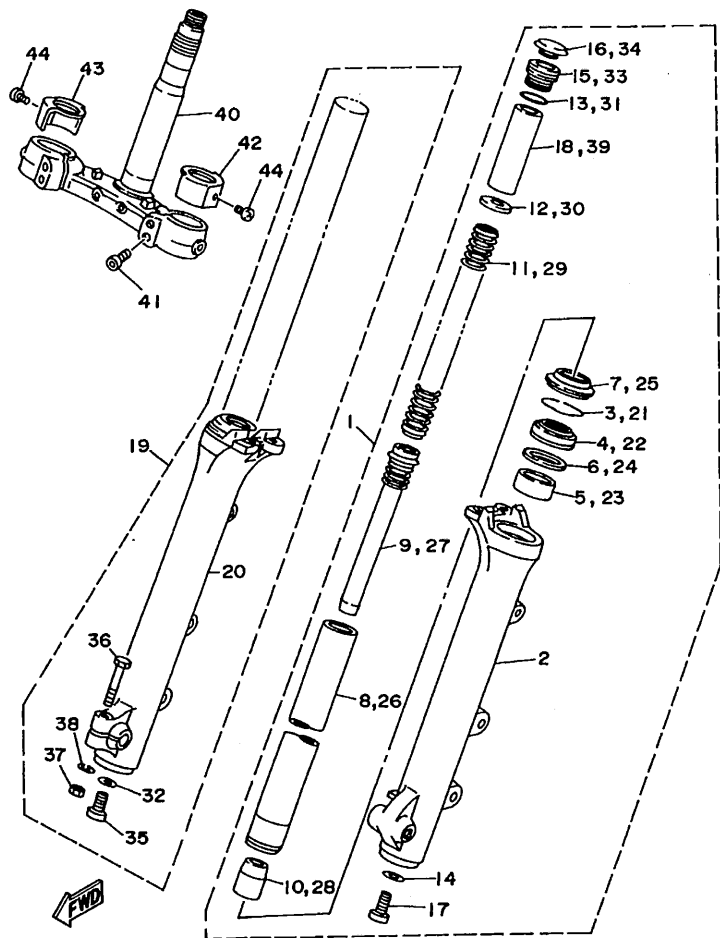
FIG. 27 STEERING

REF. NO.	PART NO.	DESCRIPTION	3LPB	3LPD	3REF7	REMARKS
1	93332-00001	BEARING	1	1	1	
2	93332-00008	BEARING	1	1	1	
3	1J7-23415-00	COVER, BALL RACE 1	1	1	1	
4	90179-25033	NUT	2	2	2	
5	90202-26142	WASHER, PLATE	1	1	1	
6	26H-23418-01	WASHER, SPECIAL	1	1	1	
7	90176-22050	NUT, CROWN	1	1	1	
8	42X-W2341-01-38	CROWN, HANDLE	1	1	1	CLP
9	95024-08045	BOLT, FLANGE	2	2	2	
10	92903-08100	WASHER, SPRING	2	2	2	
11	92903-08600	WASHER, PLATE	2	2	2	
12	1UF-23317-01	HOLDER, CABLE	2	2	2	
13	4H7-23441-00-38	HOLDER, HANDLE UPPER	2	2	2	CLP
14	42X-23442-00-38	HOLDER, HANDLE LOWER	2	2	2	CLP
15	90201-10141	WASHER, PLATE	4	4	4	
16	92907-10100	WASHER, SPRING	2			
	92901-10100	WASHER, SPRING		2	2	
17	95307-10700	NUT	2			
	95301-10700	NUT		2	2	
18	90468-12006	CLIP	2	2	2	
19	91314-08030	BOLT	4	4	4	
20	90338-08163	PLUG	4	4	4	
21	1RM-23122-00	COVER, OUTER 1	1	1	1	
22	1RM-2317E-00	STAY	1	1	1	
23	92014-06012	BOLT, BUTTON HEAD	2	2	2	
24	90338-08163	PLUG	4	4	4	
25	42X-2313A-00	BRACE, FORK	1	1	1	

FIG. 27 STEERING



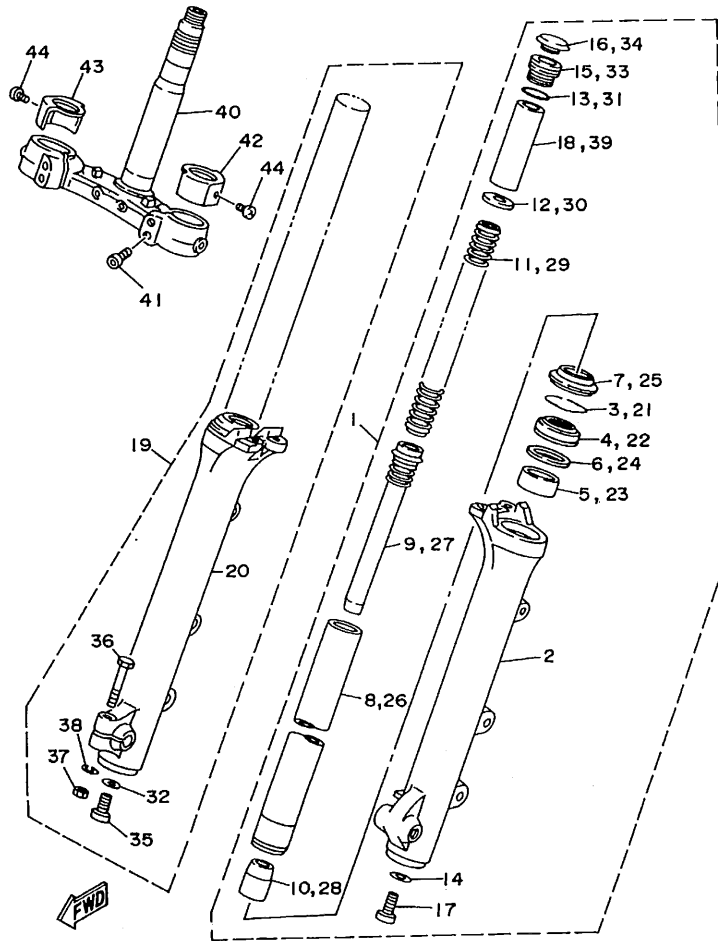
REF. NO.	PART NO.	DESCRIPTION	3LPB	3LPD	3EF7	REMARKS
26	95024-08020	BOLT, FLANGE	4	4	4	



3LP9332-5250

FIG. 28 FRONT FORK

REF. NO.	PART NO.	DESCRIPTION	3LPB	3LPD	3EFT	REMARKS
1	3LP-23102-33	FRONT FORK ASSY (L.H)	1	1	1	
	3JK-23102-12	FRONT FORK ASSY (L.H)			1	FOR AUT
2	3LP-23126-30	.TUBE, OUTER (LEFT)	1	1	1	
	3JK-23126-10	.TUBE, OUTER (LEFT)			1	FOR AUT
3	3R4-23153-00	.RING, SNAP	1	1	1	
4	4DN-23145-00	.OIL SEAL	1	1	1	
5	2YK-23125-00	.METAL, SLIDE 1	1	1	1	
6	4V2-23146-L0	.WASHER, OIL SEAL	1	1	1	
7	4DN-23144-00	.SEAL, DUST	1	1	1	
8	3JK-23110-12	.INNER TUBE COMP.1	1	1	1	
9	42H-23170-00	.CYLINDER COMP., FRONT FORK	1	1	1	
10	3JK-23173-12	.SPINDLE, TAPER	1	1	1	
11	42H-23141-00	.SPRING, FRONT FORK	1	1	1	
12	4FY-23149-00	.WASHER, SPRING UPPER	1	1	1	
13	1W1-23114-L0	.GASKET	1	1	1	
14	509-23158-L0	.GASKET	1	1	1	
15	3KM-23111-01	.BOLT, CAP	1	1	1	
16	42H-23168-00	.CAP, FRONT FORK	1	1	1	
17	278-23181-50	.BOLT, HEXAGON SOCKET HEAD	1	1	1	
18	42X-23118-00	.SPACER	1	1	1	
19	3LP-23103-33	FRONT FORK ASSY (R.H)	1	1	1	
	3JK-23103-12	FRONT FORK ASSY (R.H)			1	FOR AUT
20	3LP-23136-30	.TUBE, OUTER (RIGHT)	1	1	1	
	3JK-23136-10	.TUBE, OUTER (RIGHT)			1	FOR AUT
21	3R4-23153-00	.RING, SNAP	1	1	1	
22	4DN-23145-00	.OIL SEAL	1	1	1	
23	2YK-23125-00	.METAL, SLIDE 1	1	1	1	



3LP9332-5250

FIG. 28 FRONT FORK

REF. NO.	PART NO.	DESCRIPTION	3LPB	3LPD	3EF7	REMARKS
24	4V2-23146-L0	.WASHER, OIL SEAL	1	1	1	
25	4DN-23144-00	.SEAL, DUST	1	1	1	
26	3JK-23110-12	.INNER TUBE COMP.1	1	1	1	
27	42H-23170-00	.CYLINDER COMP., FRONT FORK	1	1	1	
28	3JK-23173-12	.SPINDLE, TAPER	1	1	1	
29	42H-23141-00	.SPRING, FRONT FORK	1	1	1	
30	4FY-23149-00	.WASHER, SPRING UPPER	1	1	1	
31	1W1-23114-L0	.GASKET	1	1	1	
32	509-23158-L0	.GASKET	1	1	1	
33	3KM-23111-01	.BOLT, CAP	1	1	1	
34	42H-23168-00	.CAP, FRONT FORK	1	1	1	
35	278-23181-50	.BOLT, HEXAGON SOCKET HEAD	1	1	1	
36	4V4-23346-L0	.BOLT 1	1	1	1	
37	95311-08600	.NUT	1	1	1	
38	92901-08100	.WASHER, SPRING	1	1	1	
39	42X-23118-00	.SPACER	1	1	1	
40	2AE-23340-30	UNDER BRACKET COMP.	1			UR FOR SWE
	2AE-23340-F0	UNDER BRACKET COMP.	1			UR FOR GRC,PRT
	42H-23340-00	UNDER BRACKET COMP.	1	1	1	UR FOR BEL,GBR,ITA
41	91311-08030	BOLT	4	4	4	
42	1RM-23132-00	COVER (L.H)	1	1	1	
43	1RM-23132-10	COVER (R.H)	1	1	1	
44	1RM-23119-00	SCREW	2	2	2	

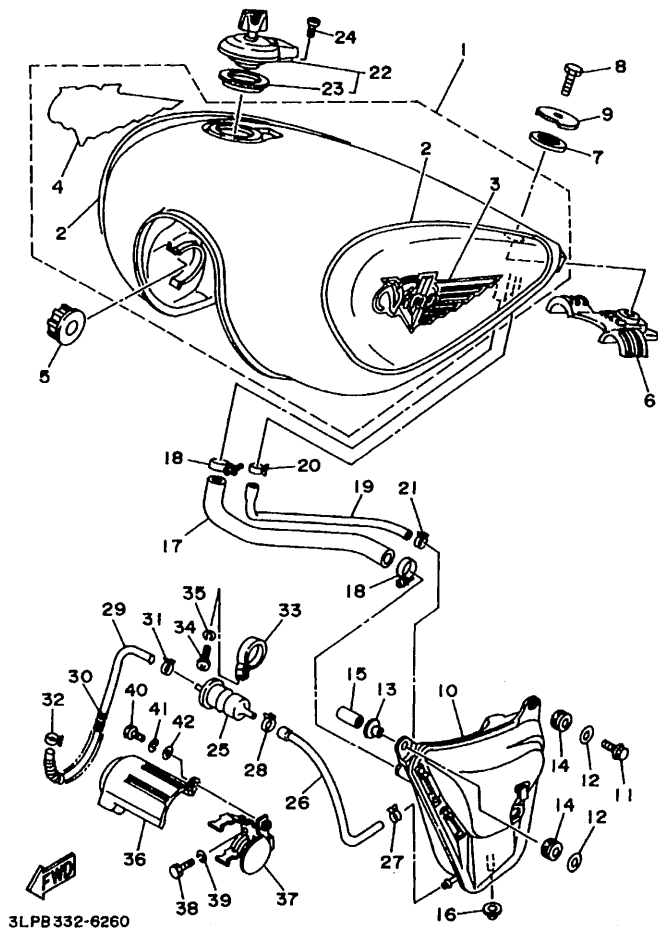
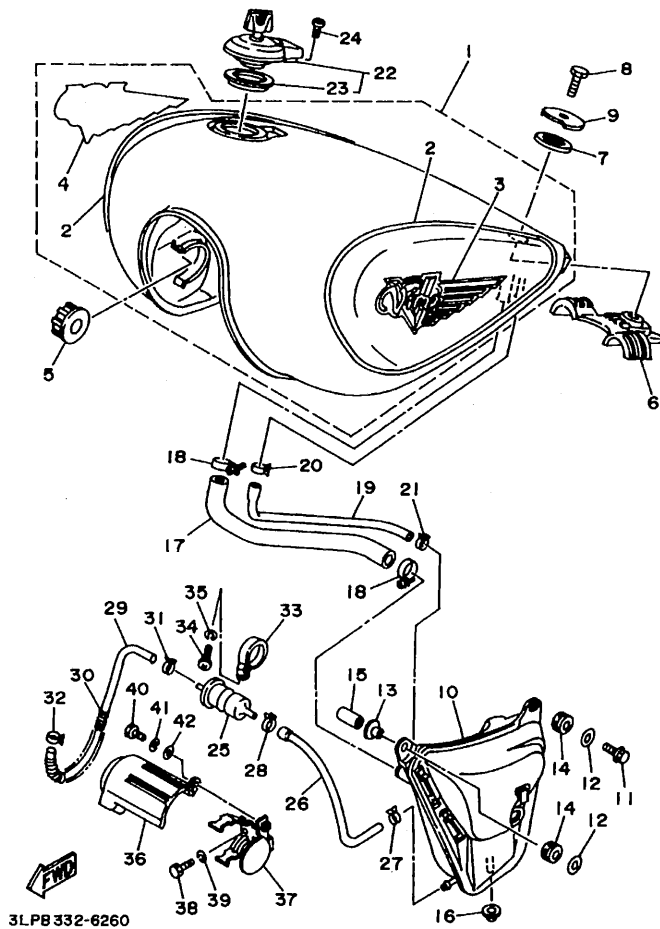


FIG. 29 FUEL TANK

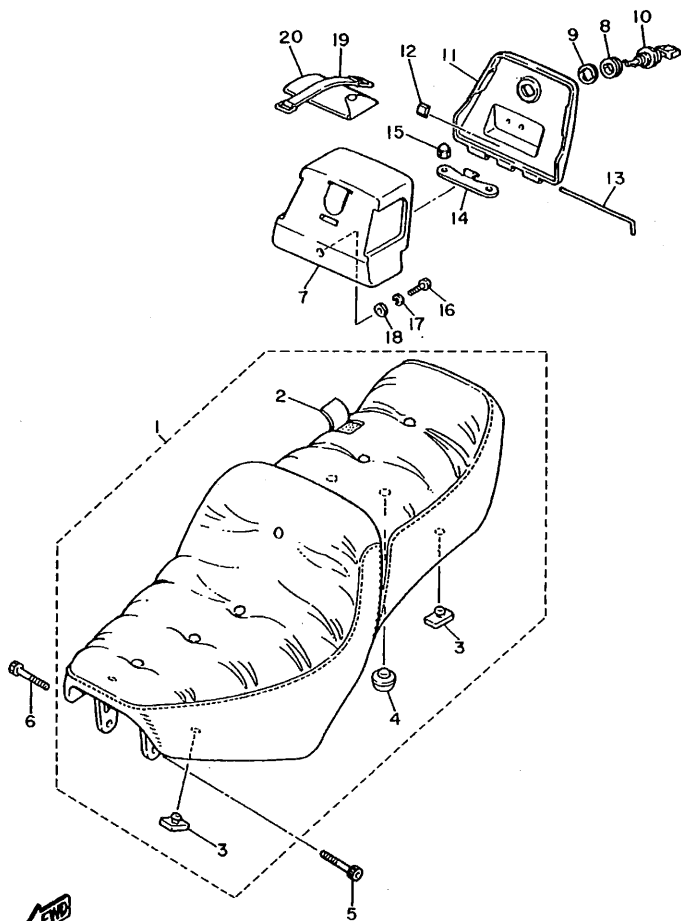
REF. NO.	PART NO.	DESCRIPTION	3LPB	3LPD	3EF7	REMARKS
1	3DR-24110-00-08	FUEL TANK COMP.		1	1	UR VDBM3/CR1
	3DR-24110-00-07	FUEL TANK COMP.		1	1	UR URB/GRM
2	3JK-24240-80	.GRAPHIC SET	1	1	1	UR FOR VDBM3
	4PW-24240-00	.GRAPHIC SET	1	1	1	UR FOR URB
3	3JK-24161-20	.EMBLEM 1	1	1	1	UR FOR VDBM3
	4PW-24161-00	.EMBLEM 1	1	1	1	UR FOR URB
4	3JK-24162-20	.EMBLEM 2	1	1	1	UR FOR VDBM3
	4PW-24162-00	.EMBLEM 2	1	1	1	UR FOR URB
5	4H7-24181-00	DAMPER, LOCATING 1	2	2	2	
6	42X-24182-00	DAMPER, LOCATING 2	1	1	1	
7	42X-24183-00	DAMPER, LOCATING 3	1	1	1	
8	97007-08016	BOLT	1	1	1	
9	42X-24186-00	WASHER, SPECIAL	1	1	1	
10	42H-24280-00	TANK, FUEL	1	1	1	
11	91317-06020	BOLT	1	1	1	
12	90201-06557	WASHER, PLATE	2	2	2	
13	90387-062L2	COLLAR	1	1	1	
14	90480-13163	GROMMET	2	2	2	
15	90560-06258	SPACER	1	1	1	
16	90480-10408	GROMMET	1	1	1	
17	42H-24316-00	PIPE 6	1	1	1	
18	90460-16192	CLAMP, HOSE	2	2	2	
19	42H-24317-00	PIPE 7	1	1	1	
20	90467-12053	CLIP	1	1	1	
21	90467-10135	CLIP	1	1	1	
22	4X7-24602-04	CAP ASSY	1	1	1	
23	4X7-24612-00	.GASKET, CAP	1	1	1	



3LPB332-6260

FIG. 29 FUEL TANK

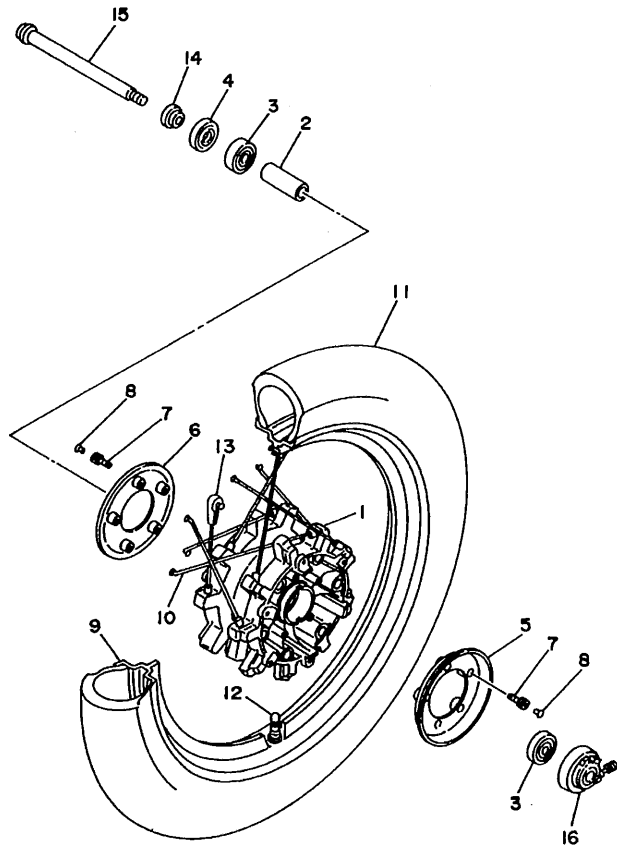
REF. NO.	PART NO.	DESCRIPTION	3LPB	3LPD	3EF7	REMARKS
24	91317-05010	BOLT	1	1	1	
25	1FK-24560-00	FILTER ASSY	1	1	1	
26	42H-24311-00	PIPE, FUEL 1	1	1	1	
27	90467-10135	CLIP	1	1	1	
28	90467-12053	CLIP	1	1	1	
29	42H-24315-00	PIPE 5	1	1	1	
30	90501-101J5	SPRING, COMPRESSION	1	1	1	
31	90467-12053	CLIP	1	1	1	
32	90467-10135	CLIP	1	1	1	
33	90465-08256	CLAMP	1	1	1	
34	98507-06010	SCREW, PAN HEAD	1	1	1	
35	92907-06100	WASHER, SPRING	1	1	1	
36	42H-24452-00	COVER	1	1	1	
37	3JK-24491-00	BRACKET, FUEL PUMP	1	1	1	
38	97007-06012	BOLT	2	2	2	
39	92907-06100	WASHER, SPRING	2	2	2	
40	98507-06012	SCREW, PAN HEAD	1	1	1	
41	92907-06100	WASHER, SPRING	1	1	1	
42	92907-06600	WASHER, PLATE	1	1	1	



3CF110-8270

FIG. 30 SEAT

REF. NO.	PART NO.	DESCRIPTION	3LPB	3LPD	3EF7	REMARKS
1	3CF-24730-10	DOUBLE SEAT ASSY	1	1	1	
2	3CF-24731-10	.COVER, SEAT	1	1	1	
3	509-24724-00	.DAMPER, SEAT	4	4	4	
4	1L9-24741-A0	.PAD, SEAT	1	1	1	
5	91317-06016	BOLT	1			
	91316-06016	BOLT		1	1	
6	90110-06077	BOLT, HEXAGON SOCKET HEAD	1	1	1	
7	42X-2473R-00	BOX 1	1	1	1	
8	90480-24186	GROMMET	1	1	1	
9	90201-225A4	WASHER, PLATE (T=1.0)	1	1	1	
10	5A8-21708-00	LOCK ASSY 2	1	1	1	
11	42X-2473T-00	LID 1	1	1	1	
12	3CF-24723-00	DAMPER, SEAT	1	1	1	
13	42X-2177K-00	PIN, HINGE	1	1	1	
14	1RM-2162G-00	PLATE 1	1	1	1	
15	90176-06065	NUT, CROWN	2	2	2	
16	97007-06016	BOLT	1			
	97002-06016	BOLT		1	1	
17	92907-06100	WASHER, SPRING	1			
	92902-06100	WASHER, SPRING		1	1	
18	90201-06057	WASHER, PLATE	1	1	1	
19	5H9-21376-00	BAND, TOOL	1	1	1	
20	42X-28100-10	TOOL KIT	1	1	1	

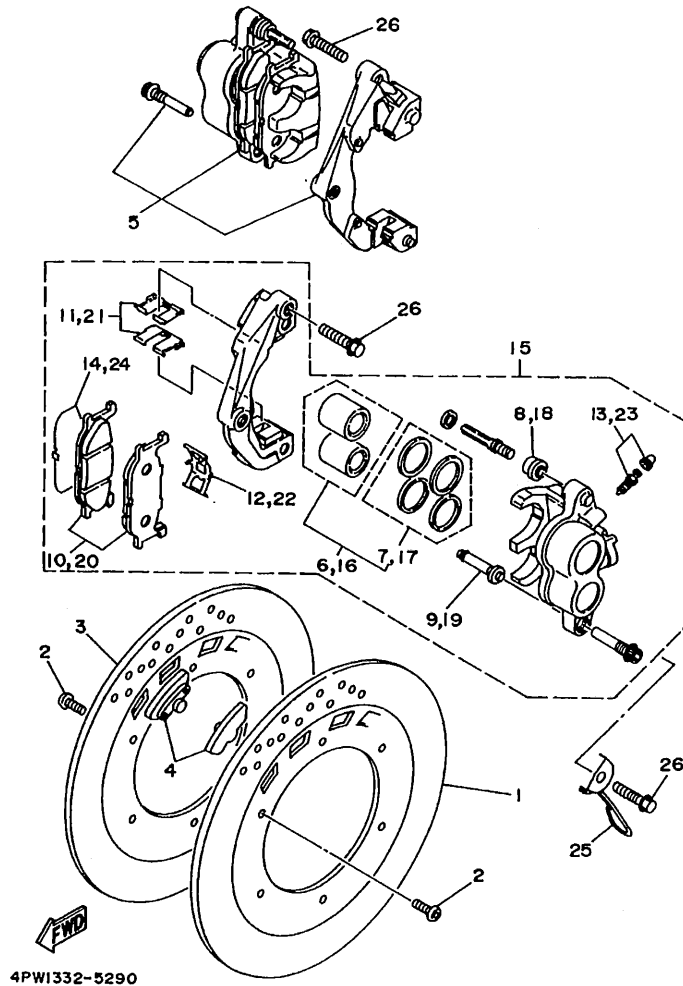


3LP7332-4280

FIG. 31 FRONT WHEEL

REF. NO.	PART NO.	DESCRIPTION	3LPB	3LPD	3EF7	REMARKS
1	3LP-25111-00-35	HUB, FRONT	1	1	1	SL
2	90560-15116	SPACER	1	1	1	
3	93306-30202	BEARING	2	2	2	
4	93102-22014	OIL SEAL	1	1	1	
5	56W-2512A-00	CAP, WHEEL (LEFT)	1	1	1	
6	56W-2512A-10	CAP, WHEEL (RIGHT)	1	1	1	
7	90110-06091	BOLT, HEXAGON SOCKET HEAD	10	10	10	
8	90338-06162	PLUG	10	10	10	
9	94421-19526	RIM (2.15-19)	1	1	1	
10	3LP-25104-00	SPOKE SET, FRONT	1	1	1	
11	94110-1904N	TIRE (100/90-19 57H)	1	1	1	UR BRIDGESTONE
	94110-1904P	TIRE (100/90-19 57H)	1	1	1	UR DUNLOP
12	93900-00022	VALVE, RIM	1	1	1	TAIHEIYO
13	3LP-25398-00	BALANCER, WHEEL	1	1	1	UN
	3LP-25398-10	BALANCER, WHEEL	1	1	1	UN
	3LP-25398-20	BALANCER, WHEEL	1	1	1	UN
14	90387-15550	COLLAR	1	1	1	
15	42X-25181-00	AXLE, WHEEL	1	1	1	
16	42X-25190-00	GEAR UNIT ASSY	1	1	1	

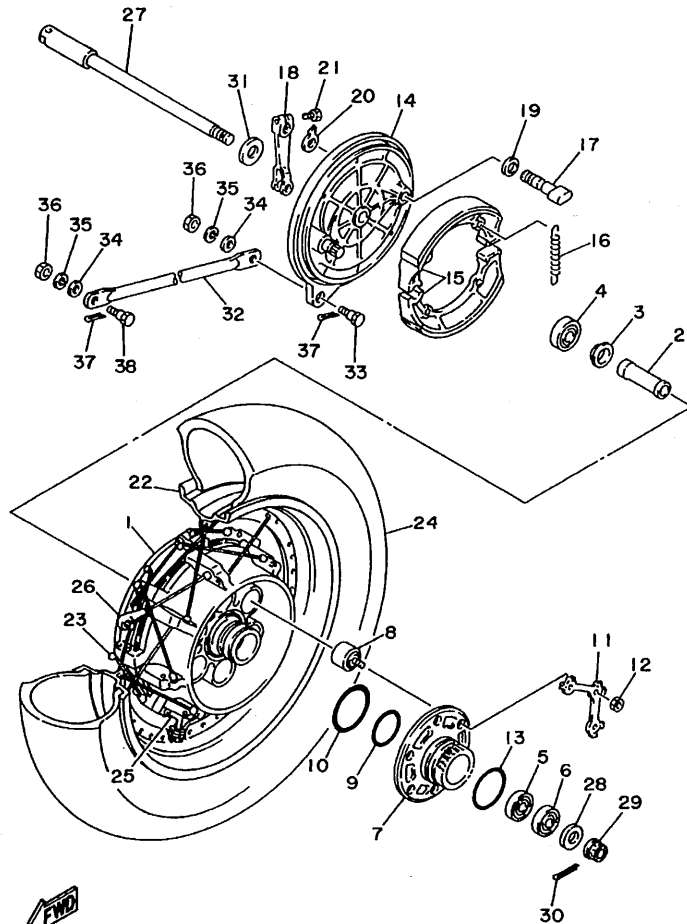
FIG. 32 FRONT BRAKE CALIPER



4PW1332-5290

REF. NO.	PART NO.	DESCRIPTION				REMARKS
			3LPB	3LPD	3EF7	
1	3LP-2582T-00	DISC, BRAKE	1	1	1	
2	90109-083G4	BOLT	12	12	12	
3	3LP-2582U-00	DISC, BRAKE (RIGHT)	1	1	1	
4	3LP-2516A-00	DAMPER	12	12	12	
5	3LP-2580U-00	CALIPER ASSY (RIGHT)	1	1	1	
6	3YX-W0057-50	.PISTON ASSY, CALIPER	1	1	1	
7	3YX-W0047-50	..CALIPER SEAL KIT	1	1	1	
8	5R2-25937-00	.BOOT 2	1	1	1	
9	3YX-25937-00	.BOOT 2	1	1	1	
10	3LP-W0045-00	.BRAKE PAD KIT	1	1	1	
11	3YX-25919-00	.SUPPORT, PAD	2	2	2	
12	3YX-25929-00	.SPRING, ANTI RATTLE	1	1	1	
13	51L-W0048-00	.BLEED SCREW KIT	1	1	1	
14	4DN-25827-00	.SHIM, CALIPER	1	1	1	
15	3LP-2580T-00	CALIPER ASSY (LEFT)	1	1	1	
16	3YX-W0057-50	.PISTON ASSY, CALIPER	1	1	1	
17	3YX-W0047-50	..CALIPER SEAL KIT	1	1	1	
18	5R2-25937-00	.BOOT 2	1	1	1	
19	3YX-25937-00	.BOOT 2	1	1	1	
20	3LP-W0045-00	.BRAKE PAD KIT	1	1	1	
21	3YX-25919-00	.SUPPORT, PAD	2	2	2	
22	3YX-25929-00	.SPRING, ANTI RATTLE	1	1	1	
23	51L-W0048-00	.BLEED SCREW KIT	1	1	1	
24	4DN-25827-00	.SHIM, CALIPER	1	1	1	
25	3LP-23317-00	HOLDER, CABLE	1	1	1	
26	90105-10838	BOLT, WASHER BASED	4	4	4	

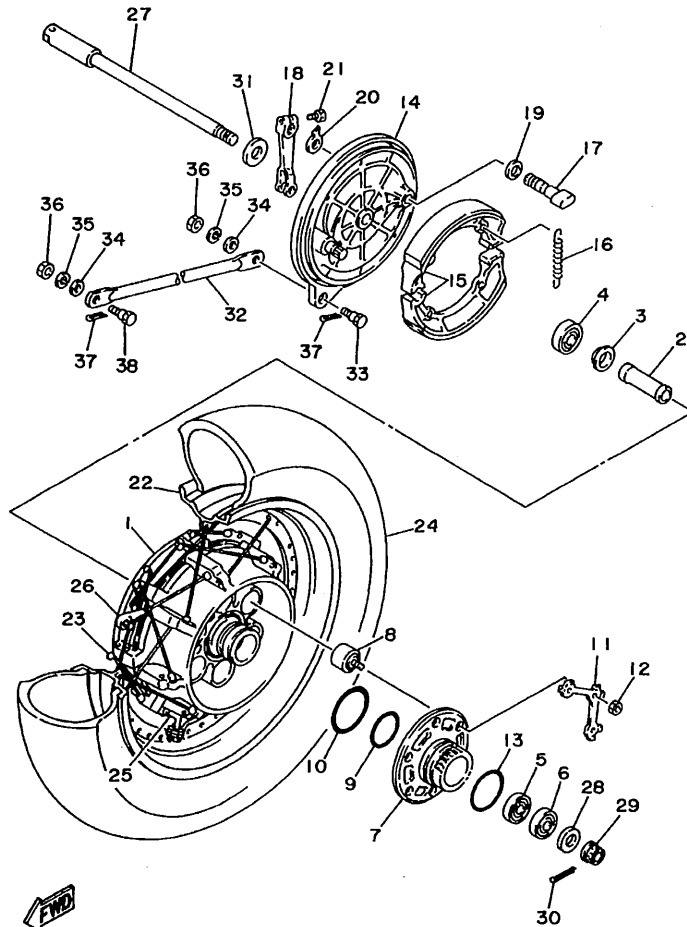
FIG. 33 REAR WHEEL



3LP7351-4300

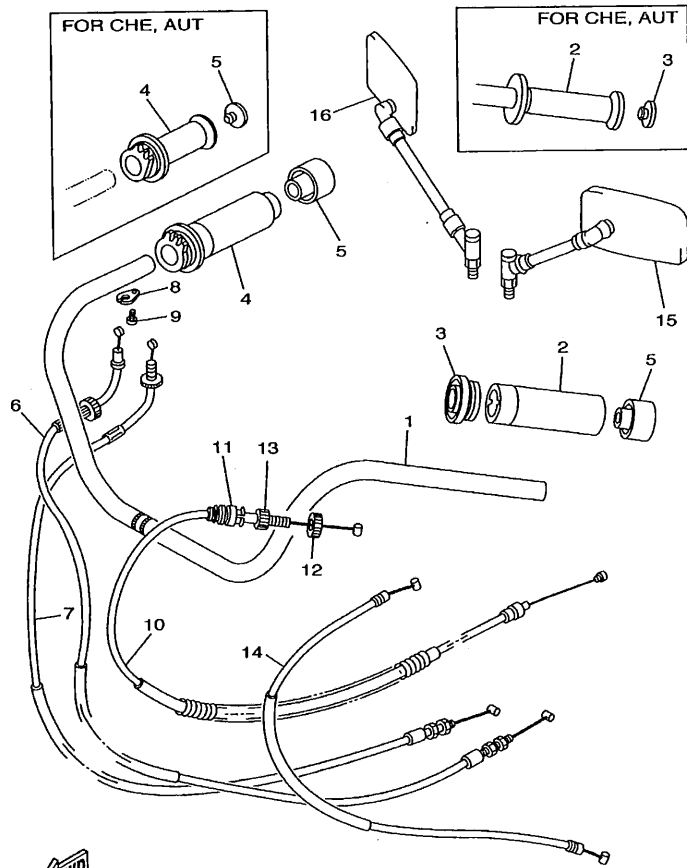
REF. NO.	PART NO.	DESCRIPTION	3LPB	3LPD	3EF7	REMARKS
1	3LP-25311-00-35	HUB, REAR	1	1	1	SL
2	90560-17249	SPACER	1	1	1	
3	148-25315-00	FLANGE, SPACER	1	1	1	
4	93306-30306	BEARING (B6303)	1	1	1	
5	93306-20309	BEARING (B6203)	1	1	1	UR
	93306-20316	BEARING (B6203)	1	1	1	UR
6	93306-20310	BEARING (B6203DU)	1	1	1	
7	16G-25366-01	CLUTCH, HUB	1	1	1	
8	42H-25364-00	DAMPER	6	6	6	
9	93210-48530	O-RING	1	1	1	
10	93210-59531	O-RING	1	1	1	
11	16G-25412-00	WASHER	2	2	2	
12	90170-10219	NUT	6	6	6	
13	93210-57428	O-RING	1	1	1	
14	42H-25321-02	PLATE, BRAKE SHOE	1	1	1	
15	3DR-W2536-00	BRAKE SHOE SET	1	1	1	
16	90507-20002	SPRING, TENSION	2	2	2	
17	4H7-25351-00	CAMSHAFT	1	1	1	
18	3CF-25355-00	LEVER, CAMSHAFT	1	1	1	
19	90201-14577	WASHER, PLATE	1	1	1	
20	4H7-2533A-02	PLATE, INDICATOR	1	1	1	
21	90101-06764	BOLT	1	1	1	
22	94430-15525	RIM	1	1	1	
23	3LP-25304-01	SPOKE SET, REAR	1	1	1	
24	94114-1504R	TIRE (140/90-15 70H)	1	1	1	UR BRIDGESTONE
	94114-1504S	TIRE (140/90-15 70H)	1	1	1	UR DUNLOP
25	93900-00025	VALVE, RIM	1	1	1	

FIG. 33 REAR WHEEL



3LP7351-4300

REF. NO.	PART NO.	DESCRIPTION	3LPB	3LPD	3EF7	REMARKS
26	3LP-25398-00	BALANCER, WHEEL	1	1	1	UN
	3LP-25398-10	BALANCER, WHEEL	1	1	1	UN
	3LP-25398-20	BALANCER, WHEEL	1	1	1	UN
27	42X-25381-00	AXLE, WHEEL	1	1	1	
28	90201-146R0	WASHER, PLATE	1	1	1	
29	90171-14044	NUT, CASTLE	1	1	1	
30	91401-30030	PIN, COTTER	1	1	1	
31	4H7-25377-00	COLLAR, WHEEL	1	1	1	
32	42X-25371-02	BAR, TENSION	1	1	1	
33	90109-08406	BOLT	1	1	1	
34	92903-08600	WASHER, PLATE	2	2	2	
35	92903-08100	WASHER, SPRING	2	2	2	
36	95304-08700	NUT	2	2	2	
37	91401-20015	PIN, COTTER	2	2	2	
38	90109-08368	BOLT	1	1	1	

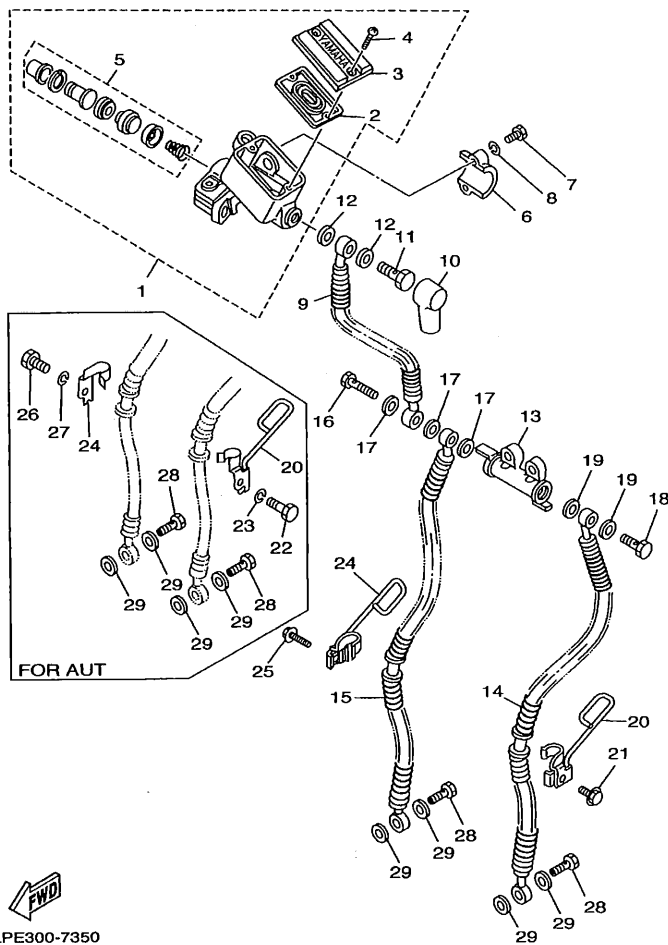


3LPE300-7340

FIG. 34 STEERING HANDLE. CABLE

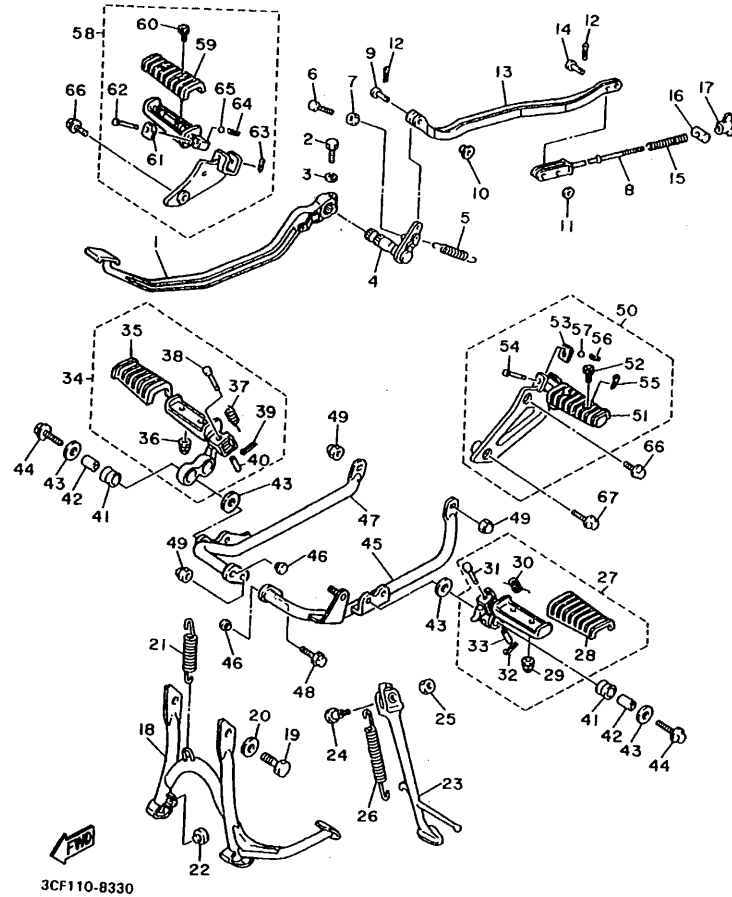
REF. NO.	PART NO.	DESCRIPTION	3LPB	3LPD	3EF7	REMARKS
1	3CF-W2611-10	HANDLEBAR	1	1		
	3CF-W2611-00	HANDLEBAR			1	
2	3JB-26241-00	GRIP (LEFT)	1	1		
	42X-26241-00	GRIP (LEFT)			1	
3	3JB-26273-00	ROTOR	1	1		
	26H-2628J-00	CAP, GRIP			1	
4	3JB-26240-00	GRIP ASSY	1	1		
	1FK-26240-00	GRIP ASSY			1	
5	3JB-2628J-00	CAP, GRIP	2	2		
	26H-2628J-00	CAP, GRIP			1	
6	3CF-26311-00	CABLE, THROTTLE 1	1	1	1	
7	3CF-26312-00	CABLE, THROTTLE 2	1	1	1	
8	5H0-26393-00	HOLDER	1	1	1	
9	98507-05008	SCREW, PAN HEAD	1	1	1	
10	57A-26335-00	CABLE, CLUTCH	1	1	1	
11	1E6-26342-00	BOOT, CABLE	1	1	1	
12	90179-08148	NUT	1	1	1	
13	90123-08046	BOLT	1	1	1	
14	3CF-26331-01	CABLE, STARTER 1	1	1	1	
15	4H7-26290-A1	REAR VIEW MIRROR ASSY (LEFT)	1	1	1	
16	4H7-26290-E1	REAR VIEW MIRROR ASSY (RIGHT)	1	1	1	

FIG. 35 FRONT MASTER CYLINDER



REF. NO.	PART NO.	DESCRIPTION	3LPB	3LPD	3E7	REMARKS
1	22R-25850-02	MASTER CYLINDER ASSY	1	1	1	
2	4K0-25854-00	.DIAPHRAGM, RESERVOIR	1	1	1	
3	2GV-25852-00	.CAP, RESERVOIR	1	1	1	
4	98706-04012	.SCREW, FLAT HEAD	2	2	2	
5	4K0-W0041-50	.CYLINDER KIT, MASTER	1	1	1	
6	4L0-25867-00	BRACKET, MASTER CYLINDER	1	1	1	
7	97007-06025	BOLT	2	2	2	
8	92907-06600	WASHER, PLATE	2	2	2	
9	3LP-25872-12	HOSE, BRAKE 1	1	1	1	
10	4L0-25862-01	BOOT, MASTER CYLINDER	1	1	1	
11	90401-10159	BOLT, UNION	1	1	1	
12	90201-10118	WASHER, PLATE	2	2	2	
13	42H-25885-01	JOINT	1	1	1	
14	3LP-25873-11	HOSE, BRAKE 2	1	1	1	
15	3LP-25874-11	HOSE, BRAKE	1	1	1	
16	90401-10160	BOLT, UNION	1	1	1	
17	90201-10118	WASHER, PLATE	3	3	3	
18	90401-10159	BOLT, UNION	1	1	1	
19	90201-10118	WASHER, PLATE	2	2	2	
20	55R-25875-00	HOLDER, BRAKE HOSE 1	1	1	1	
	42X-25875-00	HOLDER, BRAKE HOSE 1			1	FOR AUT
21	95024-06020	BOLT, FLANGE	1	1	1	
22	97007-06010	BOLT			1	FOR AUT
23	92907-06100	WASHER, SPRING			1	FOR AUT
24	55R-25876-00	HOLDER, BRAKE HOSE 2	1	1	1	
	42X-25876-00	HOLDER, BRAKE HOSE 2			1	FOR AUT
25	95024-06020	BOLT, FLANGE	1	1	1	

FIG. 36 STAND, FOOTREST



3CF110-8330

REF. NO.	PART NO.	DESCRIPTION	3LPB	3LPD	3EF7	REMARKS
1	3CF-27211-00-93	PEDAL, BRAKE	1	1	1	CM
2	90109-06468	BOLT	1	1	1	
3	92903-06100	WASHER, SPRING	1	1	1	
4	42X-27212-01	SHAFT, BRAKE PEDAL	1	1	1	
5	90506-20192	SPRING, TENSION	1	1	1	
6	90101-06478	BOLT	1	1	1	
7	90170-06184	NUT	1	1	1	
8	3CF-27231-01	ROD, BRAKE	1	1	1	
9	90240-06057	PIN, CLEVIS	1	1	1	
10	90560-06201	SPACER	1	1	1	
11	92907-06200	WASHER	2			
	92901-06200	WASHER, PLAIN		2	2	
12	91401-20012	PIN, COTTER	3	3	3	
13	3CF-27241-00	ROD, JOINT	1	1	1	
14	90240-06103	PIN, CLEVIS	2	2	2	
15	90501-10245	SPRING, COMPRESSION	1	1	1	
16	90249-12008	PIN	1	1	1	
17	90175-06019	NUT, WING	1	1	1	
18	42X-27111-00-R4	STAND, MAIN	1	1	1	HPB
19	97007-10016	BOLT	2			
	98002-10016	BOLT		2		
	97002-10016	BOLT			2	
20	90201-10141	WASHER, PLATE	2	2	2	
21	90506-35149	SPRING, TENSION	1	1	1	
22	371-27114-00	STOPPER, MAIN STAND	1	1	1	
23	42X-27311-00-93	STAND, SIDE	1	1	1	CM
24	90109-101G3	BOLT	1	1	1	

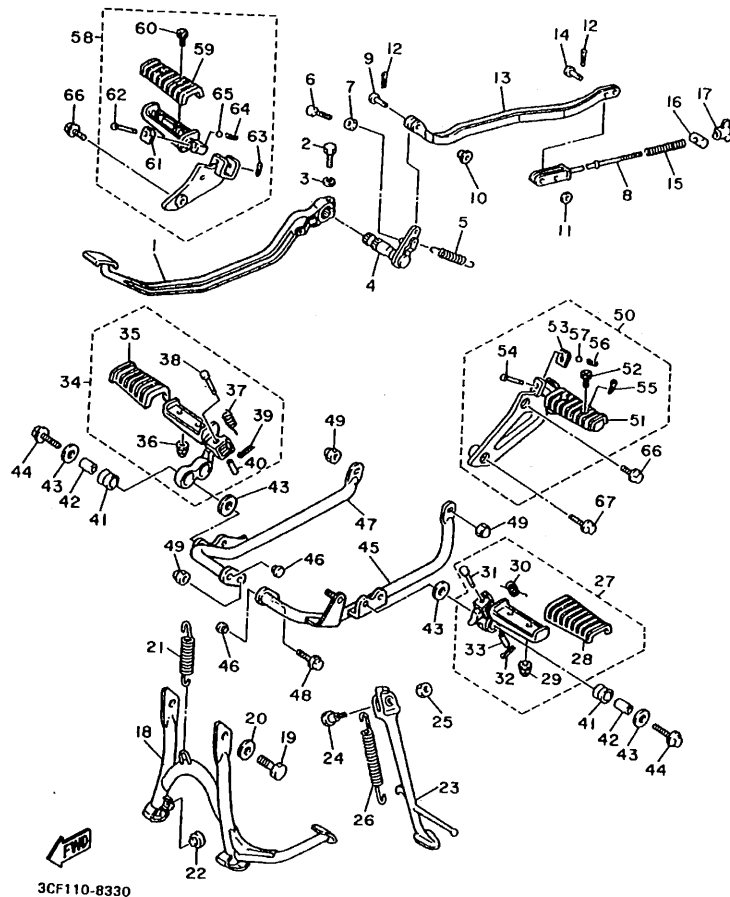
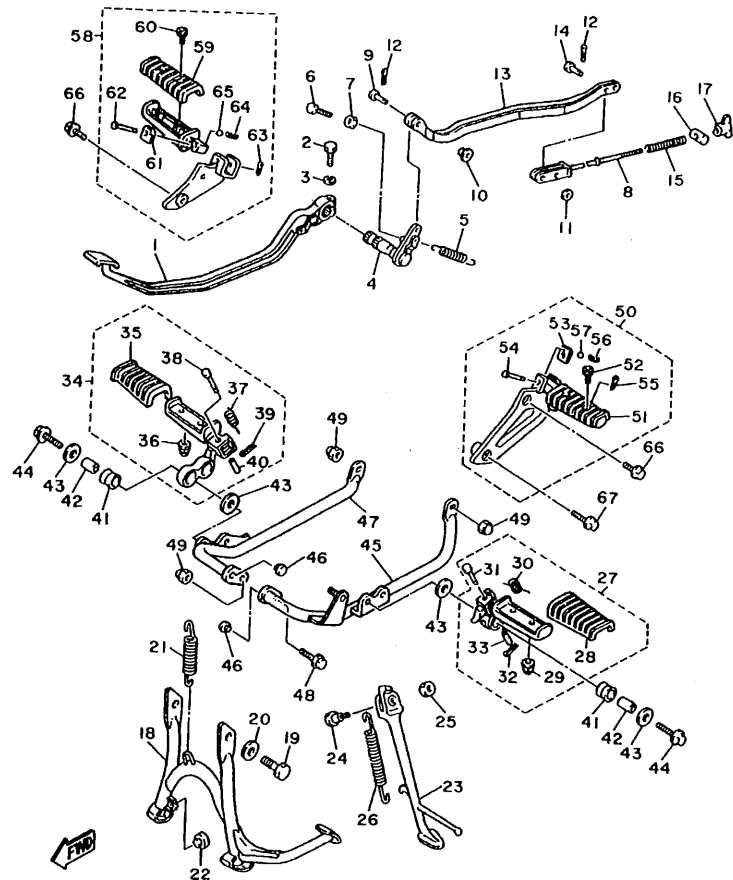


FIG. 36 STAND.FOOTREST

REF. NO.	PART NO.	DESCRIPTION	3LPB	3LPD	3EF7	REMARKS
25	95304-10700	NUT	1	1	1	
26	90507-29009	SPRING, TENSION	1	1	1	
27	3CF-27410-00-93	FRONT FOOTREST ASSY (LEFT)	1	1	1	CM
28	1NH-27413-00	.COVER, FOOTREST	1	1	1	
29	95601-06100	.NUT, U	2	2	2	
30	90508-18696	.SPRING, TORSION	1	1	1	
31	90240-08084	.PIN, CLEVIS	1	1	1	
32	91401-25015	.PIN, COTTER	1	1	1	
33	90387-087K5	.COLLAR	1	1	1	
34	1RM-27420-00-93	FRONT FOOTREST ASSY (RIGHT)	1	1	1	CM
35	1NH-27413-00	.COVER, FOOTREST	1	1	1	
36	95607-06100	.NUT, U	2	2	2	
37	90508-18696	.SPRING, TORSION	1	1	1	
38	90240-08084	.PIN, CLEVIS	1	1	1	
39	91401-25015	.PIN, COTTER	1	1	1	
40	90387-087K5	.COLLAR	1	1	1	
41	4X7-27414-00	DAMPER, FOOTREST	4	4	4	
42	90387-107A7	COLLAR	4	4	4	
43	90201-100A1	WASHER, PLATE	8	8	8	
44	90109-100G0	BOLT	4	4	4	
45	3CF-27471-02	BAR, FOOTREST 1	1	1	1	
46	90338-09161	PLUG	2	2	2	
47	3CF-27472-02	BAR, FOOTREST 2	1	1	1	
48	90105-10050	BOLT, WASHER BASED	1	1	1	
49	90176-10075	NUT, CROWN	3	3	3	
50	1RM-27430-02	REAR FOOTREST ASSY 1	1	1	1	
51	1NH-27433-00	.COVER, REAR FOOTREST	1	1	1	

FIG. 36 STAND, FOOTREST

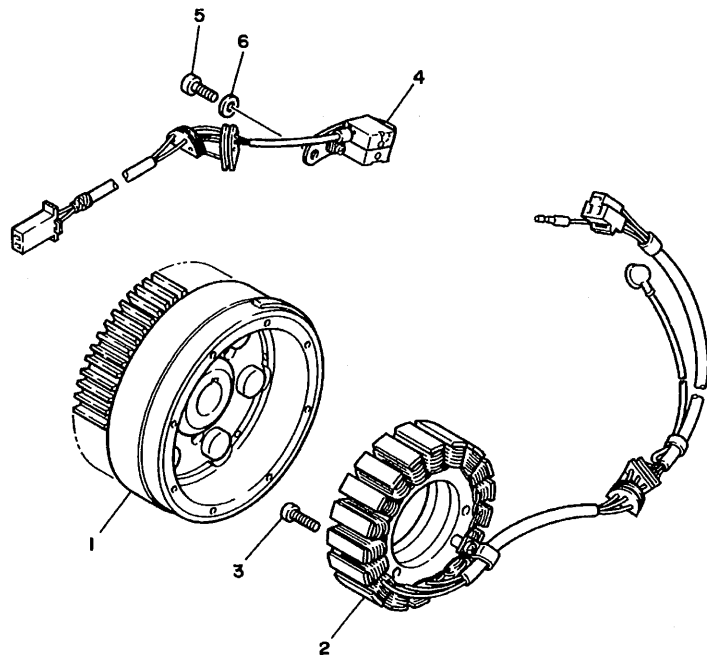


3CF110-8330

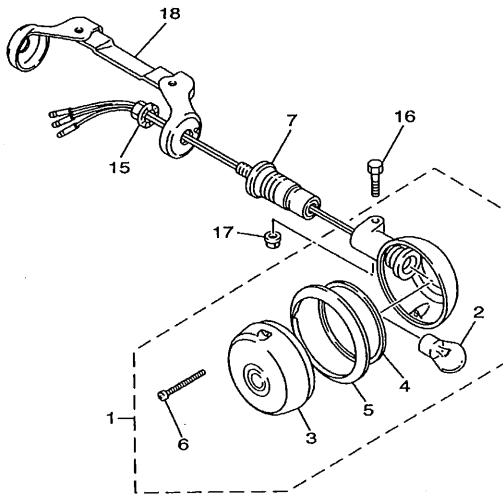
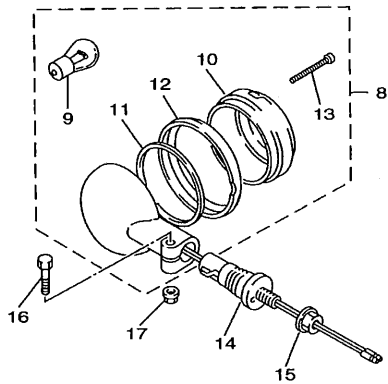
REF. NO.	PART NO.	DESCRIPTION	3LFB	3LFD	3EF7	REMARKS
52	98516-06012	.SCREW, PAN HEAD	2	2	2	
53	1HX-27437-00	.WASHER, SPECIAL	1	1	1	
54	91701-06038	.PIN, CLEVIS	1	1	1	
55	91401-16012	.PIN, COTTER	1	1	1	
56	90501-12743	.SPRING, COMPRESSION	1	1	1	
57	93501-04004	.BALL	1	1	1	
58	1RM-27440-01	REAR FOOTREST ASSY 2	1	1	1	
59	1NH-27433-00	.COVER, REAR FOOTREST	1	1	1	
60	98516-06012	.SCREW, PAN HEAD	2	2	2	
61	1HX-27437-00	.WASHER, SPECIAL	1	1	1	
62	91701-06038	.PIN, CLEVIS	1	1	1	
63	91401-16012	.PIN, COTTER	1	1	1	
64	90501-12743	.SPRING, COMPRESSION	1	1	1	
65	93501-04004	.BALL	1	1	1	
66	95024-08020	BOLT, FLANGE	3	3	3	
67	95024-08045	BOLT, FLANGE	1	1	1	

FIG. 37 GENERATOR

REF. NO.	PART NO.	DESCRIPTION	3LPB	3LPD	3EF7	REMARKS
1	3JK-81450-00	ROTOR ASSY	1	1	1	
2	1TA-81410-20	STATOR ASSY	1	1	1	
3	91317-06030	BOLT	3	3		
	91316-06030	BOLT			3	
4	3JK-81670-00	PICK-UP ASSY	1	1	1	
5	91317-06016	BOLT	2	2		
	91316-06016	BOLT			2	
6	90201-06674	WASHER, PLATE	2	2	2	



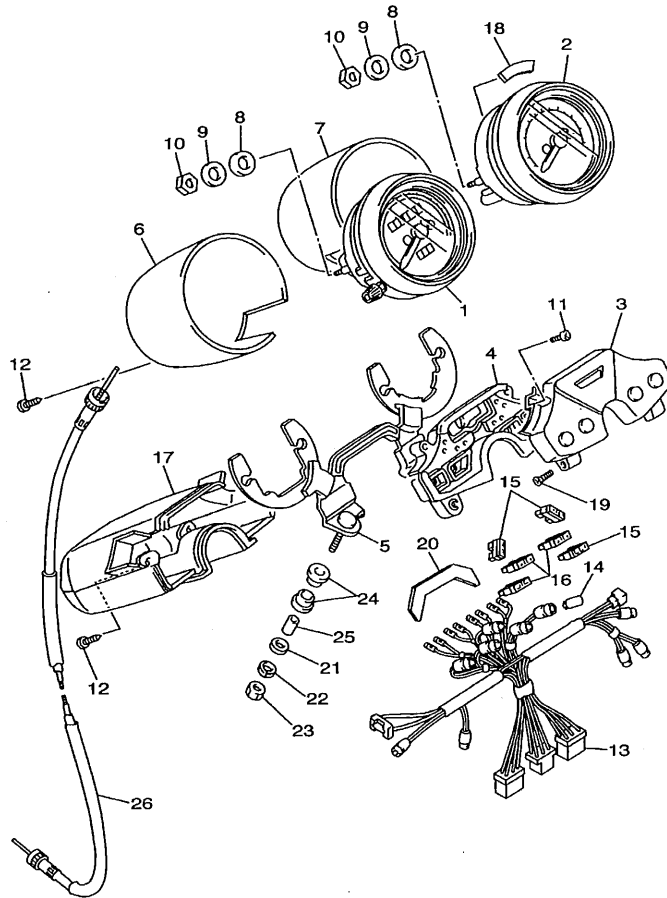
3JK7110-1340




3LPE332-7360

FIG. 39 FLASHER LIGHT

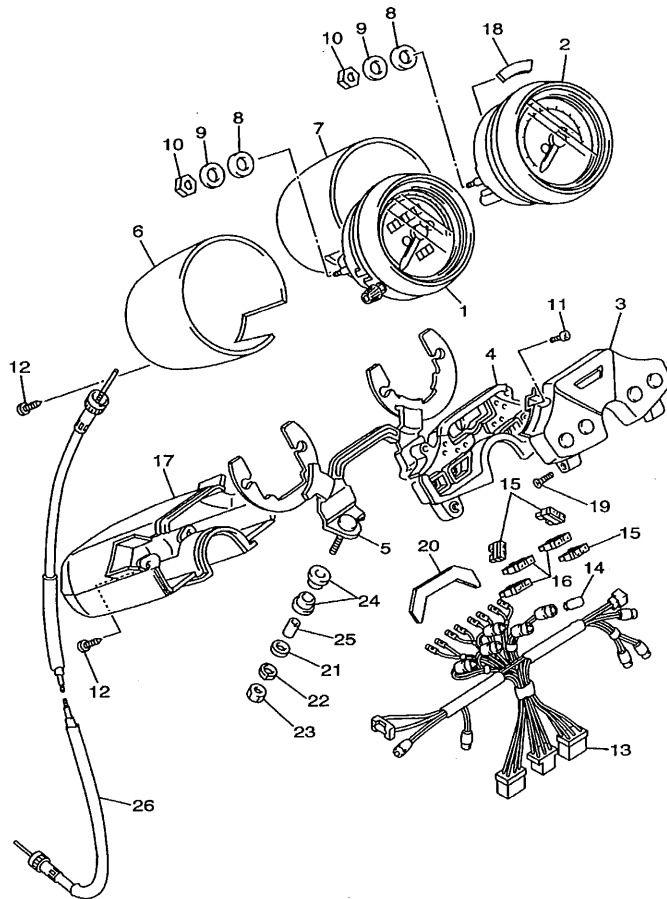
REF. NO.	PART NO.	DESCRIPTION	3LPB	3LPD	3EF7	REMARKS
1	2EN-83310-00	FRONT FLASHER LIGHT ASSY 1	2	2	2	
2	2AE-83311-00	.BULB, FLASHER (12V-21W)	1	1	1	
3	42X-83312-00	.LENS, FLASHER	1	1	1	
4	42X-83313-00	.GASKET, FLASHER LENS	1	1	1	
5	42X-83363-00	.LENS, RIM	1	1	1	
6	57M-83358-00	.SCREW, SPECIAL	2	2	2	
7	1AA-83318-00	STAY, FLASHER 1	2	2	2	
8	2EN-83330-00	REAR FLASHER LIGHT ASSY 1	2	2	2	
9	2AE-83311-00	.BULB, FLASHER (12V-21W)	1	1	1	
10	2AE-83312-00	.LENS, FLASHER	1	1	1	
11	42X-83313-00	.GASKET, FLASHER LENS	1	1	1	
12	42X-83363-00	.LENS, RIM	1	1	1	
13	57M-83358-00	.SCREW, SPECIAL	2	2	2	
14	1AA-83328-00	STAY, FLASHER 2	2	2		
	1AA-83318-00	STAY, FLASHER 1			2	
15	95707-12500	NUT, FLANGE	4	4		
	95706-12500	NUT, FLANGE			4	
16	95024-06030	BOLT, FLANGE	4	4	4	
17	95704-06500	NUT, FLANGE	4	4	4	
18	42X-83328-00	STAY, FLASHER 2	1	1	1	



3LPE332-7370

FIG. 40 METER

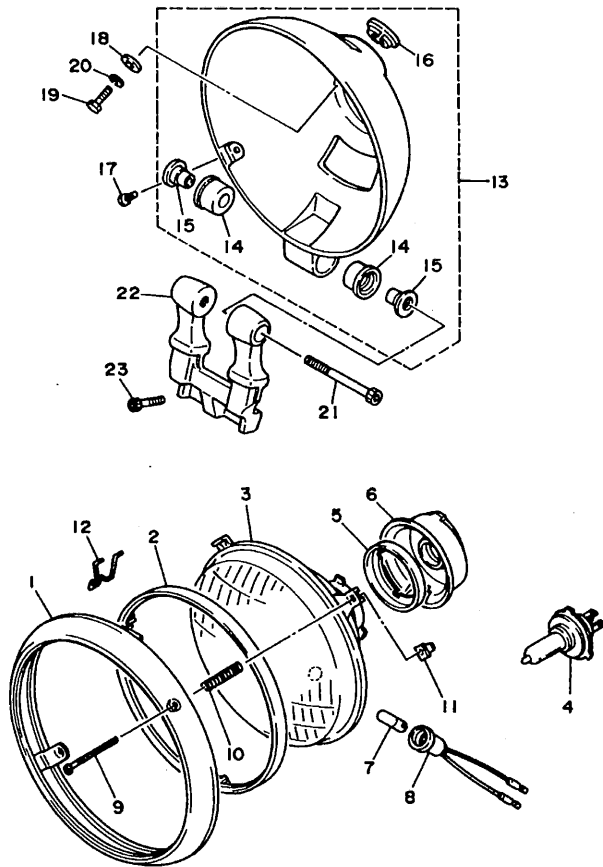
REF. NO.	PART NO.	DESCRIPTION	3LPB	3LPD	3EP7	REMARKS
1	1RT-83570-F0	SPEEDOMETER ASSY	1	1	1	UR
	3LP-83570-00	SPEEDOMETER ASSY	1			UR FOR GRB
2	1RM-83540-00	TACHOMETER ASSY	1	1	1	
3	3CF-8353E-01	CASE, METER UPPER	1	1	1	UR
	3LP-8353E-01	CASE, METER UPPER	1			UR FOR GRB
4	3CF-8353H-00	CASE, UNDER	1	1	1	
5	1FG-83519-00	BRACKET, METER	1	1	1	
6	42X-83507-00	COVER, SPEEDOMETER	1	1	1	METALLIC CHROME
7	42X-83508-00	COVER, TACHOMETER	1	1	1	METALLIC CHROME
8	12R-83523-00	DAMPER	4	4	4	
9	90201-05725	WASHER, PLATE	4	4		
	90201-05031	WASHER, PLATE			4	
10	95307-05600	NUT	4	4		
	95301-05600	NUT			4	
11	98507-04008	SCREW, PAN HEAD	2	2		
	98501-04008	SCREW, PAN HEAD			2	
12	97707-40014	SCREW, TAPPING	6	6		
	97701-40014	SCREW, TAPPING			6	
13	1RM-83509-00	SOCKET CORD ASSY	1	1	1	
14	42X-83517-00	BULB (12V-3W)	10	10	10	
15	42X-82151-30	FUSE	3	3	3	
16	42X-82151-20	FUSE (10A)	3	3	3	
17	42X-83559-00	COVER, METER	1	1	1	
18	1FK-83523-00	DAMPER	1	1	1	
19	98707-04010	SCREW, FLAT HEAD	2	2		
	98701-04010	SCREW, FLAT HEAD			2	
20	55R-83579-00	COVER, METER 2	1	1	1	



3LPE332-7370

FIG. 40 METER

REF. NO.	PART NO.	DESCRIPTION	3LPB	3LPD	3EF7	REMARKS
21	92907-06200	WASHER	2	2		
	92906-06200	WASHER, PLAIN			2	
22	92907-06100	WASHER, SPRING	2	2		
	92906-06100	WASHER, SPRING			2	
23	95307-06600	NUT	2	2		
	95306-06600	NUT			2	
24	584-83541-00	DAMPER	4	4	4	
25	90387-06249	COLLAR	2	2	2	
26	3LP-83550-00	SPEEDOMETER CABLE ASSY	1	1	1	

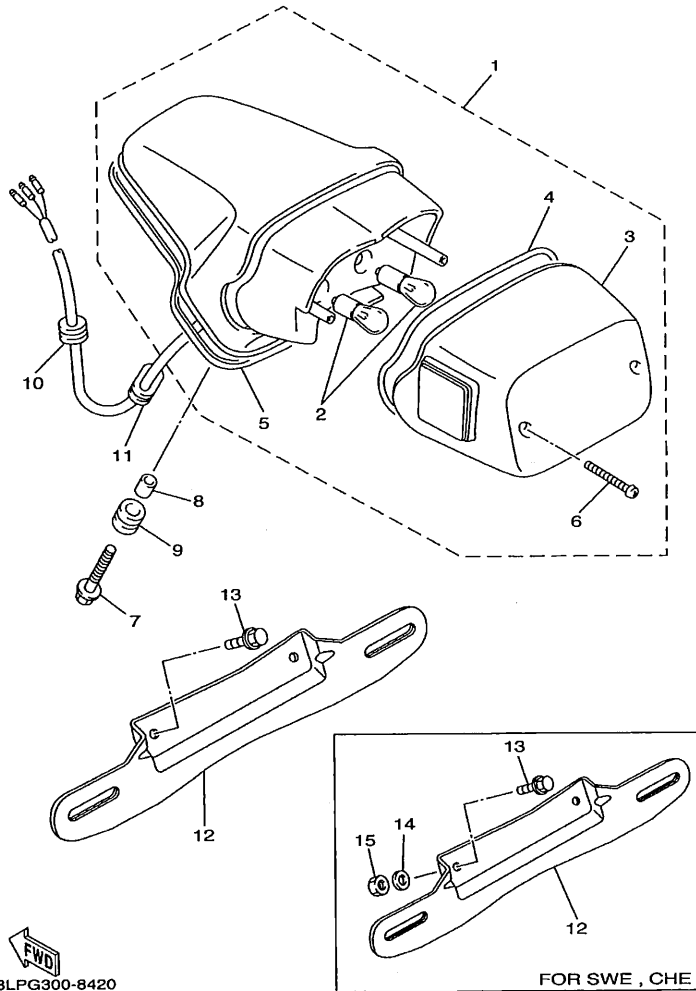


3LP7332-4380

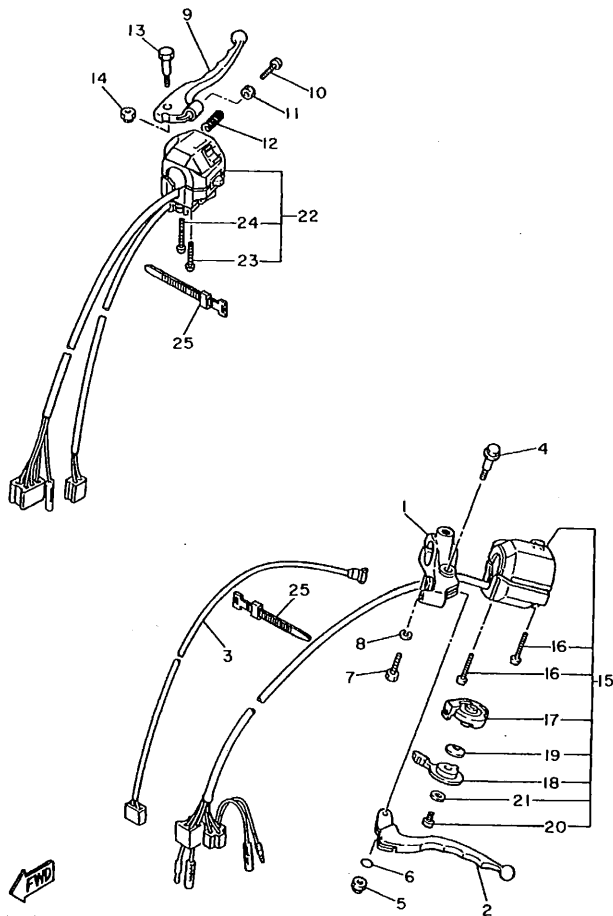
FIG. 41 HEADLIGHT

REF. NO.	PART NO.	DESCRIPTION	3LPB	3LPD	SEF7	REMARKS
1	42X-84315-01	RIM, HEADLIGHT	1	1	1	
2	5Y3-84395-00	RING, RETAINING	1	1	1	
3	2AE-84320-G0	LENS ASSY	1	1	1	UR
	55R-84321-H0	LENS ASSY	1			UR FOR GRB
4	*	BULB (12V-60/55W)	1	1	1	LM (H4)HALOGEN
5	2F9-84375-00	SETTING PLATE, BULB	1	1	1	
6	2F9-84397-01	COVER, SOCKET	1	1	1	
7	*	BULB (12V-4W)	1	1	1	LM
	*	BULB (12V 3.4W)	1			UR LM FOR GRB
8	306-84346-30	SOCKET, PILOT LIGHT	1	1	1	UR
	306-84346-40	SOCKET, PILOT LIGHT	1			UR FOR GRB
9	341-84331-60	SCREW, RIM ADJUSTING	2	2	2	
10	1A0-84332-60	SPRING, SCREW	2	2	2	
11	198-84334-60	NUT, ADJUSTING	2	2	2	
12	42X-84124-60	SPRING, SET	1	1	1	
13	42X-84330-01	BODY ASSY	1	1	1	EMPRESS MAROON
14	42X-84345-00	.DAMPER, HEADLIGHT	2	2	2	
15	42X-84338-00	.COLLAR, BODY FITTING	2	2	2	
16	42X-84366-00	.DAMPER, HEADLIGHT 1	1	1	1	
17	90157-05084	SCREW, PAN HEAD	2	2	2	
18	90201-06073	WASHER, PLATE	1	1	1	
19	97007-06016	BOLT	1	1	1	
20	92907-06100	WASHER, SPRING	1	1	1	
21	91317-08055	BOLT	1	1	1	
22	42X-84318-00	STAY, HEADLIGHT 1	1	1	1	
23	91317-06025	BOLT	2	2	2	

FIG. 42 TAILLIGHT



REF. NO.	PART NO.	DESCRIPTION	3LPB	3LPD	3EF7	REMARKS
1	2EM-84700-E0	TAILLIGHT ASSY	1	1	1	
2	2AE-84721-00	.LENS, TAILLIGHT	1	1	1	
3	42X-84723-01	.GASKET, TAIL LENS	1	1	1	
4	1RM-84704-00	.GASKET, TAILLIGHT	1	1	1	
5	97707-40625	.SCREW, TAPPING	2	2	2	
6	1A2-84714-41	.BULB (12V-21/5W)	2	2	2	
7	90119-06097	BOLT, WITH WASHER	3	3	3	
8	90387-065L5	COLLAR	3	3	3	
9	90480-15316	GROMMET	3	3	3	
10	90480-16501	GROMMET	1	1	1	
11	90480-01502	GROMMET	1	1	1	
12	2YL-84751-00	BRACKET, LICENSE	1	1	1	
13	95807-06016	BOLT, FLANGE	2	2		
	95807-06012	BOLT, FLANGE		2		
14	92907-06600	WASHER, PLATE	2			FOR SWE
	92907-06200	WASHER		2		FOR CHE
15	95307-06600	NUT	2	2		FOR SWE,CHE



2TN361-7400

FIG. 43 HANDLE SWITCH. LEVER

REF. NO.	PART NO.	DESCRIPTION	3LPB	3LPD	3EF7	REMARKS
1	42X-82911-00	HOLDER, LEVER 1	1	1	1	
2	2GV-83912-00	LEVER 1	1	1	1	
3	2GV-82917-00	SWITCH	1	1		
	3Y6-82917-00	SWITCH			1	
4	90109-06799	BOLT	1	1	1	
5	95607-06100	NUT, U	1	1	1	
6	93210-11368	O-RING	1	1	1	
7	97007-06025	BOLT	1	1	1	
8	92907-06100	WASHER, SPRING	1	1	1	
9	2W1-83922-00	LEVER 2	1	1	1	
10	90149-06131	SCREW	1	1		
	90149-06153	SCREW			1	
11	90170-06010	NUT	1	1	1	
12	90501-10312	SPRING, COMPRESSION	1	1	1	
13	90109-06577	BOLT	1	1	1	
14	95607-06100	NUT, U	1	1	1	
15	1AT-83972-01	SWITCH, HANDLE 4	1	1	1	
16	98507-05035	.SCREW, PAN HEAD	2	2	2	
17	10M-83942-00	.COVER, STARTER	1	1	1	
18	10M-83941-00	.LEVER, STARTER	1	1	1	
19	90209-10131	.WASHER	1	1	1	
20	98507-06008	.SCREW, PAN HEAD	1	1	1	
21	92907-06200	.WASHER	1	1	1	
22	3LP-83972-00	SWITCH, HANDLE 4	1	1	1	
23	98506-05040	.SCREW, PAN HEAD	1	1	1	
24	98506-05045	.SCREW, PAN HEAD	1	1	1	
25	437-83936-01	BAND, SWITCH CORD	4	4	4	

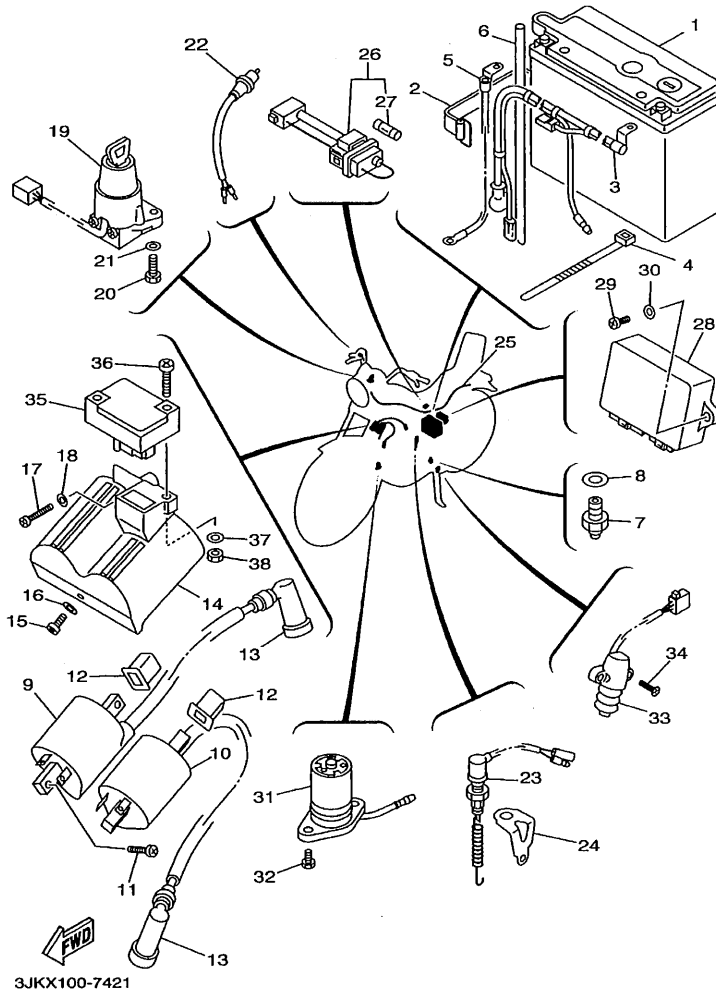


FIG. 44 ELECTRICAL 1

REF. NO.	PART NO.	DESCRIPTION	3LPB	3LPD	3EF7	REMARKS
1	11K-82110-62	BATTERY ASSY (GM18Z-3A)	1	1	1	
2	1E6-82131-00	BAND, BATTERY	1	1	1	
3	42H-82115-00	WIRE, PLUS LEAD	1	1	1	
4	1UA-82591-00	BAND	1	1	1	
5	42X-82116-00	WIRE, MINUS LEAD	1	1	1	
6	90445-081A9	HOSE (L550)	1	1	1	
7	4KM-82540-00	NEUTRAL SWITCH ASSY	1	1		
	2H7-82540-00	NEUTRAL SWITCH ASSY			1	
8	90430-10148	GASKET	1	1	1	
9	42X-82310-70	IGNITION COIL ASSY	1	1	1	
10	42X-82320-70	IGNITION COIL ASSY	1	1	1	
11	98980-05016	SCREW, BIND	2	2	2	
12	42X-82317-00	DAMPER, IGNITION COIL	2	2	2	
13	1J7-82370-00	PLUG CAP ASSY	2	2	2	
14	57A-82314-00	COVER, IGNITION COIL	1	1	1	
15	98507-06012	SCREW, PAN HEAD	1	1	1	
16	92907-06600	WASHER, PLATE	1	1	1	
17	98507-06025	SCREW, PAN HEAD	1	1	1	
18	92907-06600	WASHER, PLATE	1	1	1	
19	2AE-82501-01	MAIN SWITCH STEERING LOCK	1	1	1	UR
	2AE-82510-00	MAIN SWITCH ASSY	1			UR FOR BEL,GBR,ITA
20	97007-06016	BOLT	2	2	2	
21	92907-06600	WASHER, PLATE	2	2	2	
22	1A0-83980-30	FRONT STOP SWITCH ASSY	1	1	1	
23	42X-82530-02	STOP SWITCH ASSY	1	1	1	
24	1FK-82539-00	STAY, STOP SWITCH	1	1	1	
25	3LP-82590-10	WIRE HARNESS ASSY	1	1		

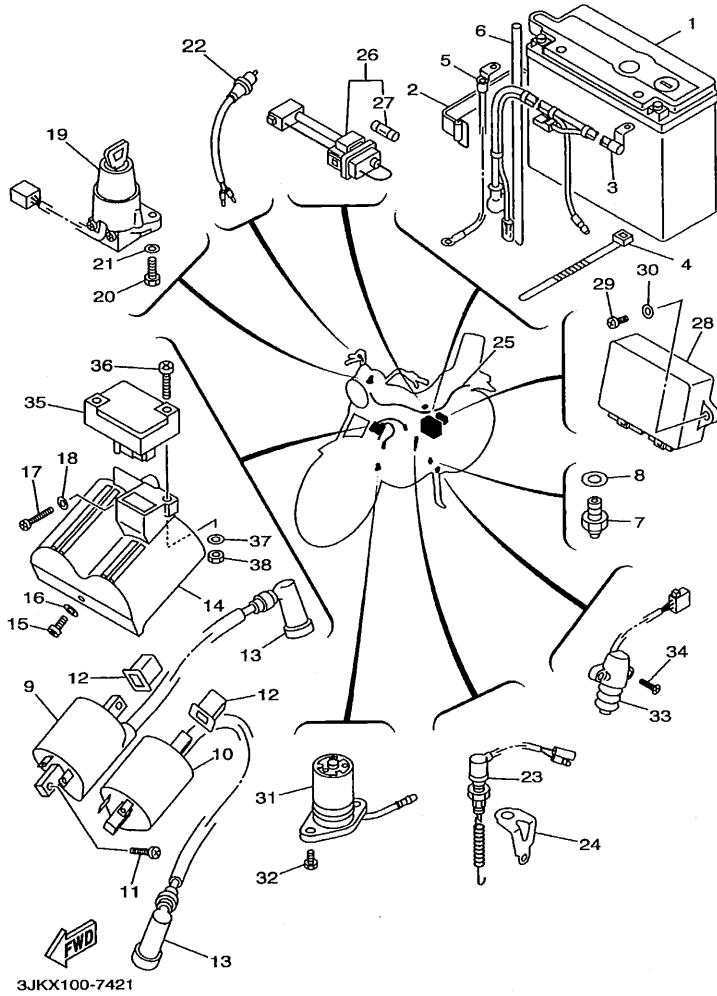
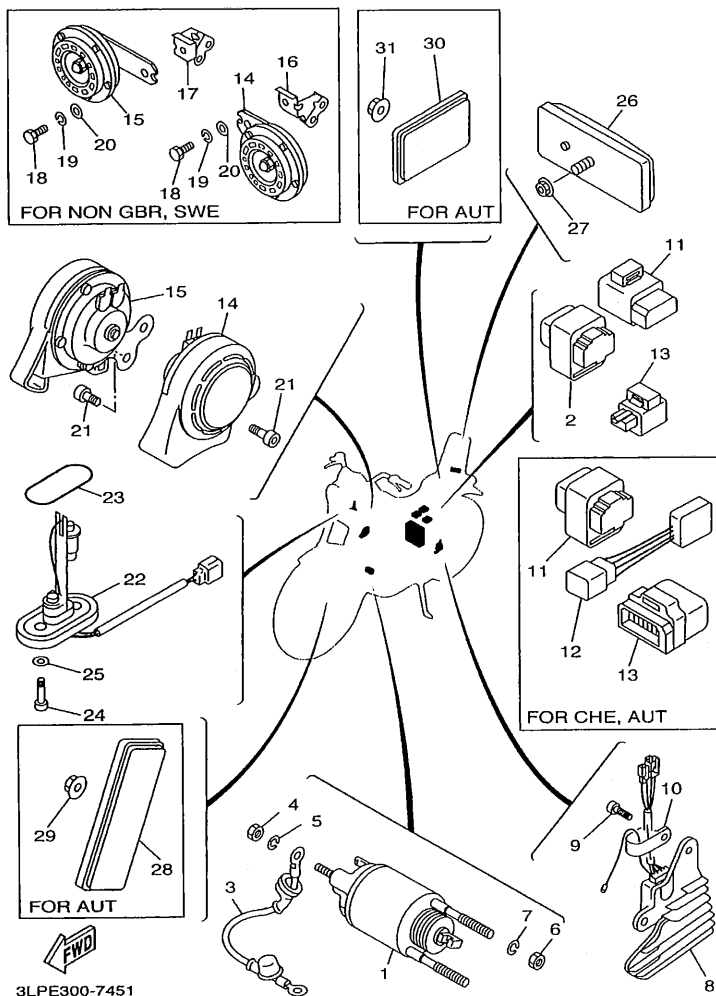


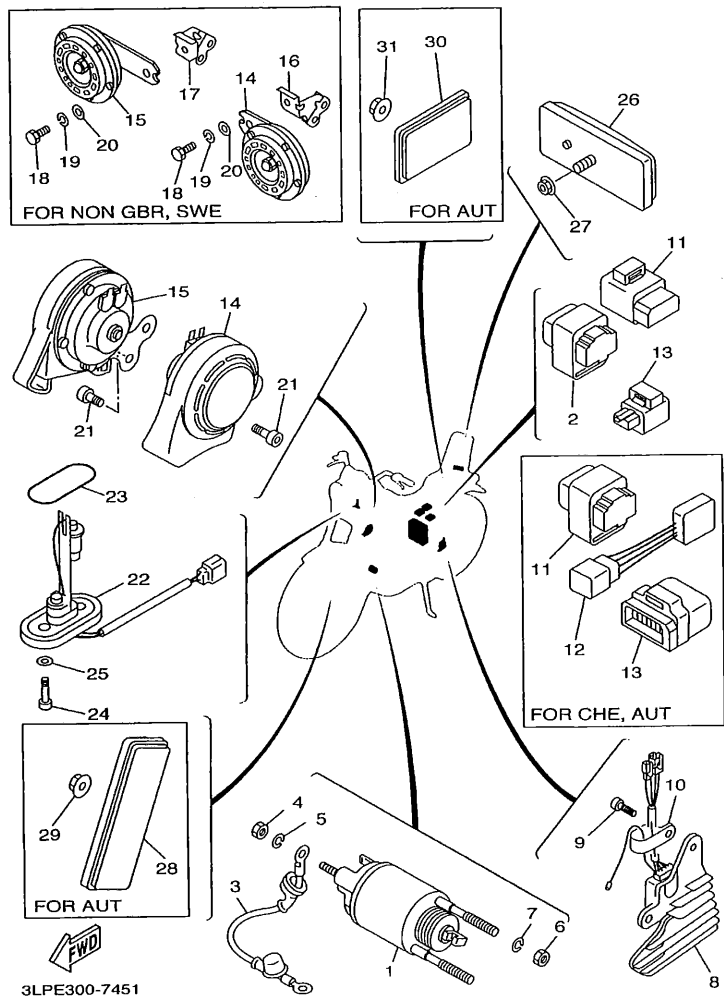
FIG. 44 ELECTRICAL 1

REF. NO.	PART NO.	DESCRIPTION	3LPB	3LPD	3EFL	REMARKS
25	3LP-82590-00	WIRE HARNESS ASSY			1	
26	3H5-82150-00	FUSE HOLDER ASSY	1	1	1	
27	2H7-82151-00	.FUSE (12V-30A)	2	2	2	
28	3LP-82305-00	IGNITOR UNIT ASSY	1	1		
	3JK-82305-00	IGNITOR UNIT ASSY			1	
29	97707-60520	SCREW, TAPPING	2	2	2	
30	90201-063A5	WASHER, PLATE	2	2	2	
31	3JK-85720-00	OIL LEVEL GAUGE ASSY	1	1	1	
32	91317-06016	BOLT	2	2	2	
33	4X7-82566-00	SWITCH, SIDE STAND	1	1	1	
34	90152-05021	SCREW, COUNTERSUNK	2	2	2	
35	1TA-82380-20	SENSOR, PRESSURE			1	
36	98507-06030	SCREW, PAN HEAD			1	
37	92907-06600	WASHER, PLATE			1	
38	90170-06184	NUT			1	

FIG. 45 ELECTRICAL 2



REF. NO.	PART NO.	DESCRIPTION	3LPB	3LPD	3EF7	REMARKS
1	5A8-86110-50	SOLENOID	1	1	1	
2	25G-81950-01	RELAY ASSY	1	1	1	
3	3JK-81815-00	CORD, STARTER MOTOR	1	1	1	
4	95307-06700	NUT	1	1		
	95302-06700	NUT			1	
5	92907-06100	WASHER, SPRING	1	1		
	92902-06100	WASHER, SPRING			1	
6	95307-08700	NUT	2	2		
	95302-08700	NUT			2	
7	92907-08100	WASHER, SPRING	2	2		
	92902-08100	WASHER, SPRING			2	
8	3LP-81960-01	RECTIFIER & REGULATOR ASSY	1	1	1	
9	97007-06014	BOLT	2	2	2	
10	90461-08113	CLAMP	1	1	1	
11	3EN-81950-00	RELAY ASSY	1	1		
	25G-81950-01	RELAY ASSY			1	
12	4U8-81980-M0	DIODE ASSY			1	FOR SIDE STAND SAFETY DEVISE
13	3GM-83350-01	FLASHER RELAY ASSY			1	
	41R-83350-71	FLASHER RELAY ASSY			1	
14	2AE-83371-01	HORN	1	1	1	
	1RM-83371-00	HORN	1			FOR GBR, SWE
	4GK-83371-00	HORN			1	FOR AUT
15	2AE-83371-11	HORN	1	1	1	
	1RM-83371-10	HORN			1	FOR GBR, SWE
	4GK-83371-10	HORN			1	FOR AUT
16	2AE-83378-00	STAY, HORN	1	1	1	FOR EXCEPT GBR, SWE
17	2AE-83378-10	STAY, HORN	1	1	1	FOR EXCEPT GBR, SWE



3LPE300-7451

FIG. 45 ELECTRICAL 2

REF. NO.	PART NO.	DESCRIPTION	3LPB	3LPD	3EF7	REMARKS
18	97007-08012	BOLT	2	2	2	FOR EXCEPT GBR, SWE FOR EXCEPT GBR, SWE FOR EXCEPT GBR, SWE
19	92907-08100	WASHER, SPRING	2	2	2	
20	92907-08600	WASHER, PLATE	2	2	2	
21	91317-06012	BOLT	2	2		
	91316-06012	BOLT			2	
22	42H-85752-01	SENDER UNIT ASSY, FUEL METER	1	1	1	
23	42X-85753-00	GASKET, SENDER UNIT	1	1	1	
24	90149-06011	SCREW	2	2	2	
25	90202-05193	WASHER, PLATE	2	2	2	
26	42X-85130-01	REAR REFLECTOR ASSY	1	1	1	
27	95707-05500	NUT, FLANGE	1	1		
	95702-05500	NUT, FLANGE			1	
28	11H-85110-01	REFLECTOR ASSY			2	
29	95707-05500	NUT, FLANGE			2	
30	20G-85110-00	REFLECTOR ASSY			2	
31	95707-05500	NUT, FLANGE			2	

NUMERICAL INDEX

PARTNO.	GRID NO.	PARTNO.	GRID NO.	PARTNO.	GRID NO.	PARTNO.	GRID NO.	PARTNO.	GRID NO.	PARTNO.	GRID NO.
4K0-W0041-50	E-14	1TA-11631-00-A0	B-5	42H-13532-00	B-15	620-1423A-75	C-7	42X-14663-02	C-3	3CG-14987-00	B-12
3LP-W0045-00	E-10	5A8-11633-00	B-5	1TA-13534-00	B-15	1HX-14231-28	C-5	42X-1468A-00	C-9		B-15
3YX-W0047-50	E-10	1TA-11636-00	B-5	1TA-13535-00	B-15		C-7	2TN-14711-01	C-9	22F-14991-00	C-5
51L-W0048-00	E-10	1TA-11638-00	B-5	3CG-13542-00	B-15	3G2-14231-12	C-5	3LP-14711-00	C-9	4KG-14995-00	C-6
3YX-W0057-50	E-10	5A8-11650-00	B-5	42X-13544-00	B-15		C-7	3EG-14714-00	C-9	42H-15100-01	C-11
3JK-W1542-01	C-13	4X7-11654-01	B-5	42X-13564-01	B-12	620-14231-25	C-7	42H-14714-10	C-4	42H-15100-02	C-11
3LP-W1551-00	C-14	4X7-11656-00	B-5		B-15	4HM-14239-00	C-6	42X-14714-00	C-9	2H7-15361-00	C-12
42X-W2341-01-38	E-2	4X7-11656-10	B-5	16G-13569-00	B-12	3CF-14251-00	C-6	42X-14748-01	C-9	4X7-15361-00	C-12
3DR-W2536-00	E-11	4X7-11656-20	B-5		B-15		C-8	3YF-14755-00	C-9	57A-15363-11	C-11
3CF-W2611-00	E-13	4X7-11656-30	B-5	42X-13578-00	B-12	1TA-14348-00	B-12	3RW-14766-00	C-9	4X7-15388-00	C-13
3CF-W2611-10	E-13	4X7-11656-40	B-5		B-15		C-2	4BD-14766-00	C-9	1RM-15411-01	C-12
1TA-Y1757-00	D-4	5G5-11656-00	B-5	1TA-13586-00	B-15	1TA-14349-00	B-12	42X-1479H-00	C-9	1RM-15415-01	C-12
1MY-Y2151-50-JW	D-10	5G5-11656-10	B-5	24M-13586-01	B-12		B-15	42H-14808-00	C-4	42X-15417-01	C-12
1MY-Y2151-90-PA	D-10	5G5-11656-20	B-5		B-15	3CG-14396-00	B-12	1TA-14840-00	C-4	1RM-15419-00	C-12
1RM-Y2161-R1-JW	D-10	2J2-12111-01	B-6	1TA-13595-00	B-15		B-15	42H-14857-00	C-4	3JK-15425-00	C-12
1RM-Y2161-T1-P3	D-10	1TA-12113-00	B-6	42H-13907-00	B-12	42X-14401-01	B-12	42H-14858-00	C-4	5A8-15429-00	C-12
3EF-Y2161-CO-P1	D-10	1TA-12114-00	B-6		B-15		C-2	42H-14871-01	C-4	42X-15441-00	C-13
3EF-Y2161-80-JW	D-10	4X7-12116-00	B-6	42H-13971-00	B-12	10L-14407-00	B-12	42H-14872-02	C-4	3EG-15451-00	C-12
		4X7-12117-00	B-6		B-15		C-2	42H-14873-01	B-2	1RM-15455-00	C-12
1TA-11102-02	B-2	4X7-12118-00	B-6	3CF-1410A-00	C-5	1TA-1441A-00	B-13	1TA-14881-00	C-4	3EG-15459-00	C-12
1TF-11102-02	B-2	341-12119-02	B-6		C-7		C-2	42H-14882-00	C-4	3EG-15462-00	C-13
4X7-1111F-00	B-3	5A8-12121-00	B-6	3CF-14103-01	C-6	1TA-1441E-00	B-13	42H-14883-00	C-4	4X7-15484-00	B-9
42X-1111H-01	B-2	42X-12151-00	B-6		C-8		C-2	42H-14884-00	C-4	4X7-15485-01	B-9
1RM-1112E-00	B-3	4X7-12156-01	B-6	12R-14105-00	C-5	1TA-14422-00	B-13	42H-14885-00	C-4	4X7-15491-00	C-11
4X7-11127-00	B-2	4X7-12159-00	B-6		C-7		C-2	3CF-1490H-00	C-5	1TA-15512-00	C-14
4X7-11133-10	B-2	42H-12171-00	B-7	3CF-14107-15	C-5	42X-14451-00	B-13		C-7	4X7-15521-00	C-14
42X-11145-00	B-7	4X7-12176-00	B-7		C-7		C-2	3CN-1490J-00	C-5	5A8-15542-01	C-14
42X-11152-00	B-2	42H-12181-00	B-7	2RJ-14118-00	C-7	42X-14452-00	B-13	3EF-1490J-00	C-7	5A8-15550-00	C-14
4X7-11161-00	B-4	4X7-12210-01	B-7	3CF-14141-93	C-5		C-2	3CF-1490K-00	C-6	5A8-15556-00	C-14
42X-11165-00	B-2	4DW-12213-00	B-4		C-7	10L-14453-01	B-12		C-8	3EG-15568-00	C-14
42X-11166-01	B-2		B-8	4G0-14142-37	C-7		C-2	3EF-14900-11	C-7	3LP-15570-00	C-14
42H-11181-00	B-2	4X7-12215-01	B-4	4G0-14142-40	C-5	42X-14477-00	B-12	4PP-14900-01	C-5	4X7-16111-00	C-15
42X-11185-01	B-2	4X7-12221-00	B-7	137-14153-00	C-5		C-2	3EF-14901-11	C-7	4X7-16150-02	C-15
1L9-11186-00	C-12	4X7-12231-00	B-7		C-7	12R-14484-01	B-13	4PP-14901-01	C-5	3Y1-16154-00	C-15
42H-11186-01	B-3	4X7-12241-00	B-7	2VA-14185-00	C-5		C-3	3EF-14902-11	C-7	22U-16321-00	D-2
4X7-11187-01	B-3	4X7-12247-01	B-7		C-7	42X-14484-00	B-13	4PP-14902-01	C-5	4X7-16324-00	D-2
214-11198-01	B-10	1RM-13161-00	C-13	537-14186-00	C-5		C-3	3CF-14919-00	C-6	1TA-16325-00	D-2
	D-15	4X7-13171-00	B-9		C-7	42X-14485-00	B-13		C-8	1TA-16334-00	D-2
1TA-11310-00	B-4	10L-13300-00	B-9	12R-14191-00	C-5		C-3	3CF-14933-00	C-5	1TA-16335-00	D-2
3EG-11351-01	B-4	10L-13327-00	B-9		C-7	41R-14489-00	B-15		C-7	4X7-16340-00	C-15
4X7-11363-01	B-2	4X7-13354-00	B-5	3CF-14197-00	C-6	812-14594-00	C-6	2JU-14937-00	C-5	2H7-16341-00	C-15
1TA-11411-00	B-5	4X7-13355-00	B-9		C-8	1TA-14603-00	B-13		C-7	2H7-16343-00	C-15
4X7-11534-00	B-7	4X7-13405-00	B-9	3CG-14197-00	B-12		C-3	3CF-14937-00	C-6	1TA-16351-01	D-2
4X7-11536-00	B-7	1RM-13406-00	B-9		B-15		C-9		C-8	1TA-16352-00	D-2
4X7-11540-02	B-7	4X7-13419-00	C-11		C-6	42H-14611-00	C-9		C-8	4X7-16356-00	C-15
4X7-11550-01	B-7	4X7-13440-01	B-11	4HM-14216-00	C-6	57A-14612-01	C-9	3CF-14940-00	C-7	4X7-16357-00	C-15
1TA-11610-00	B-5	1RM-13447-00	B-11	620-1423A-75	C-5	3EG-14613-00	C-9	4PP-14940-00	C-5	1TA-16371-00	C-15
1TA-11610-20	B-5	4G0-13490-01	B-11		C-8	1TA-14621-00	C-9	3CF-14984-01	C-5	1TA-16371-00	C-15
1TA-11610-40	B-5		B-11		C-5	42X-14663-02	B-13		C-7	1TA-16371-01	C-15

NUMERICAL INDEX

PARTNO.	GRID NO.	PARTNO.	GRID NO.	PARTNO.	GRID NO.	PARTNO.	GRID NO.	PARTNO.	GRID NO.	PARTNO.	GRID NO.
4X7-16383-01	D-2	3CF-21110-00-33	D-8	1J7-22141-00	D-13	3JK-23173-12	E-5	3LP-2516A-00	E-10	3JB-26273-00	E-13
4X7-16384-00	C-15	3LP-21110-00-33	D-8	42X-22141-00	D-13	278-23181-50	E-4	42X-25181-00	E-9	26H-2628J-00	E-13
4X7-16385-00	D-2	42X-21164-00	C-11	1J7-22143-00	D-13	42X-25190-00	E-5	42X-25190-00	E-9	3JB-2628J-00	E-13
2H7-16395-01	C-15	42X-2117F-00	D-12	4X7-22189-01	D-13	1UF-23317-01	E-2	3LP-25304-01	E-11	4H7-26290-A1	E-13
2H7-16396-00	C-15	42X-21171-00	D-12	2H7-2219X-00	D-13	3LP-23317-00	E-10	3LP-25311-00-35	E-11	4H7-26290-E1	E-13
4X7-17121-00	D-3	4R8-21308-00	D-11	3JK-22210-10	D-13	2AE-23340-F0	E-5	148-25315-00	E-11	3CF-26311-00	E-13
4X7-17141-00	D-3	42X-21315-01	D-8	3JK-22220-10	D-13	2AE-23340-30	E-5	42H-25321-02	E-11	3CF-26312-00	E-13
42X-17151-00	D-3	42X-21316-01	D-8	57A-22243-01	D-13	42H-23340-00	E-5	4H7-2533A-02	E-11	3CF-26331-01	E-13
1TA-17211-00	D-3	42X-21317-00	D-8	3JK-23102-12	E-4	4V4-23346-L0	E-5	4H7-25351-00	E-11	57A-26335-00	E-13
4X7-17221-00	D-3	42X-21359-00	D-8	3LP-23102-33	E-4	1J7-23415-00	E-2	3CF-25355-00	E-11	1E6-26342-00	E-13
4X7-17231-00	D-3	5H9-21376-00	E-8	3JK-23103-12	E-4	26H-23418-01	E-2	42H-25364-00	E-11	5H0-26393-00	E-13
4X7-17241-00	D-3	2AE-2139R-00	D-9	3LP-23103-33	E-4	4H7-23441-00-38	E-2	16G-25366-01	E-11	42X-27111-00-R4	F-2
42X-17251-00	D-3	42X-2139R-00	D-9	3JK-23110-12	E-4	42X-23442-00-38	E-2	42X-25371-02	E-12	371-27114-00	F-2
4X7-17402-00	D-3	4PW-2139U-00	D-9	3KM-23111-01	E-5	134-23484-10	D-9	4H7-25377-00	E-12	3CF-27211-00-93	F-2
1TA-17411-00	D-3	4PW-2139U-10	D-9	1W1-23114-L0	E-5	3DR-24110-00-07	E-6	42X-25381-00	E-12	42X-27212-01	F-2
4X7-17524-00	D-4	4PW-2139U-20	D-9	42X-23118-00	E-4	3DR-24110-00-08	E-6	3LP-25398-00	E-12	3CF-27231-01	F-2
42X-17526-01	D-4	4PW-2139X-00	D-9	42X-23118-00	E-4	3JK-24161-20	E-6	3LP-25398-10	E-12	3CF-27241-00	F-2
31A-17527-00	D-4	4PW-2139X-10	D-9	1RM-23119-00	E-5	4PW-24161-00	E-6	3LP-25398-20	E-12	42X-27311-00-93	F-2
3H5-17529-00	D-4	4PW-2139X-20	D-9	1RM-23122-00	E-5	3JK-24162-20	E-6	16G-25412-00	E-11	3CF-27410-00-93	F-3
4X7-17531-00-15	D-4	42X-21458-01	D-8	2YK-23125-00	E-4	4PW-24162-00	E-6	3LP-2580T-00	E-10	1NH-27413-00	F-3
4X7-17531-00-30	D-4	4X7-21485-00	D-8	1RM-23122-00	E-5	4H7-24181-00	E-6	3LP-2580U-00	E-10	4X7-27414-00	F-3
4X7-17531-00-50	D-4	3JK-21570-21	D-10	2YK-23125-00	E-4	42X-24182-00	E-6	3LP-2582T-00	E-10	1RM-27420-00-93	F-3
1J7-17537-Y0-30	D-14	4PW-21570-01	D-10	3JK-23126-10	E-4	42X-24183-00	E-6	3LP-2582U-00	E-10	1RM-27430-02	F-3
1J7-17537-Y0-40	D-14	1RM-2162G-00	E-8	3LP-23126-30	E-4	42X-24186-00	E-6	3LP-2582U-00	E-10	1NH-27433-00	F-3
1J7-17537-Y0-50	D-14	3EF-21621-00	D-11	42X-23126-30	E-4	3JK-24240-80	E-6	3LP-2582U-00	E-10	1HX-27437-00	F-4
4X7-17551-00	D-4	42X-21629-00	D-10	42X-2313A-00	E-2	4PW-24240-00	E-6	4DN-25827-00	E-10	1RM-27440-01	F-4
4X7-17554-00	D-4	4G0-21639-00	D-11	1RM-23132-00	E-5	42H-24280-00	E-6	22R-25850-02	E-14	3CF-27471-02	F-3
4X7-17556-00	D-4	42H-2164A-02	D-10	1RM-23132-10	E-5	42H-24311-00	E-7	2GV-25852-00	E-14	3CF-27472-02	F-3
4X7-17558-00	D-4	1RM-2164F-00	D-10	3JK-23136-10	E-4	42H-24315-00	E-7	4K0-25854-00	E-14	42X-28100-10	E-8
4PP-17582-00	D-3	1RM-2164G-00	D-10	3LP-23136-30	E-4	42H-24316-00	E-6	4L0-25862-01	E-14	42X-28185-00	D-12
4PP-17583-00	D-3	3JK-2164H-00	D-10	42H-23141-00	E-4	42H-24317-00	E-6	4L0-25867-00	E-14	1TA-2840F-00	D-11
56W-17590-00	D-15	3JK-2164J-00	D-10	4DN-23144-00	E-4	42H-24452-00	E-7	3LP-25872-12	E-14	56W-46101-02	D-14
42X-18110-01	D-7	3JK-21675-10	D-10	4DN-23145-00	E-4	3JK-24491-00	E-7	3LP-25873-11	E-14	1J7-46117-Y0-25	D-14
42X-18112-01	D-7	4PW-21675-00	D-10	4V2-23146-L0	E-4	1FK-24560-00	E-7	3LP-25874-11	E-14	1J7-46117-Y0-30	D-14
132-18113-01	D-7	4GK-21688-00	D-11	4FY-23149-00	E-4	4X7-24602-04	E-6	42X-25875-00	E-14	1J7-46117-Y0-50	D-14
29L-18115-00	D-7	4GK-21689-00	D-11	3R4-23153-00	E-4	4X7-24612-00	E-6	55R-25875-00	E-14	1J7-46117-Y0-50	D-14
4X7-18120-01	D-7	5A8-21708-00	E-8	509-23158-L0	E-4	3CF-24723-00	E-8	42X-25876-00	E-14	22U-46118-00-12	D-14
4X7-18140-00	D-7	42X-21711-00-JW	D-12	42H-23168-00	E-4	509-24724-00	E-8	55R-25876-00	E-14	22U-46118-00-14	D-14
2H9-18154-00	D-7	42X-21711-00-P3	D-12	1RM-2317E-00	E-2	42X-2473R-00	E-8	42H-25885-01	E-14	22U-46118-00-16	D-15
4G0-18185-01	D-6	3LP-21717-00	D-12	42H-23170-00	E-4	42X-2473T-00	E-8	3YX-25919-00	E-10	22U-46118-00-18	D-15
4X7-18511-00	D-6	42X-2172W-02	D-12	42H-23170-00	E-4	3CF-24730-10	E-8	3YX-25929-00	E-10	22U-46118-00-20	D-15
4X7-18512-00	D-6	42X-21721-00-JW	D-12	1RM-2317E-00	E-2	3CF-24731-10	E-8	3YX-25937-00	E-10	2H7-46122-00	D-14
4X7-18513-00	D-6	42X-21721-00-P3	D-12	42H-23170-00	E-4	1L9-24741-A0	E-8	5R2-25937-00	E-10	4H7-46123-00	D-14
4X7-18531-00	D-6	1JK-21735-00	D-11	3JK-23173-12	E-4	42H-24786-00	D-11	1FK-26240-00	E-13	4H7-46125-00	D-14
4X7-18536-00	D-6	42X-2176E-00	D-12	3JK-23173-12	E-4	3LP-25104-00	E-9	3LP-26240-00	E-13	1J7-46129-Y1	D-4
4X7-18540-01	D-6	42X-2177K-00	E-8	3JK-23173-12	E-4	3LP-25111-00-35	E-9	3JB-26241-00	E-13	4H7-46152-00	D-14
136-18542-00	D-6	3LS-21781-00	D-12	3JK-23173-12	E-4	56W-2512A-00	E-9	42X-26241-00	E-13	4H7-46153-00	D-14
2EM-21110-00-33	D-8	1RM-22110-01-35	D-13			56W-2512A-10	E-9				

NUMERICAL INDEX

PARTNO.	GRID NO.	PARTNO.	GRID NO.	PARTNO.	GRID NO.	PARTNO.	GRID NO.	PARTNO.	GRID NO.	PARTNO.	GRID NO.
4X7-46172-00	D-15	2AE-83312-00	F-7	55R-84321-H0	F-10	90109-08368	E-12	90179-08210	C-9	90202-05193	G-2
4X7-46180-00	D-15	42X-83312-00	F-7	42X-84330-01	F-10	90109-08406	E-12	90179-08673	C-9	90202-05208	B-2
1TA-81410-20	F-5	42X-83313-00	F-7	341-84331-60	F-10	90109-08592	B-7	90179-09379	B-5	90202-26142	E-2
3JK-81450-00	F-5	1AA-83318-00	F-7	1A0-84332-60	F-10	90109-100G0	F-3	90179-12325	B-2	90208-04029	D-9
3JK-81670-00	F-5	1AA-83328-00	F-7	198-84334-60	F-10	90109-101G3	F-2	90179-12326	B-2	90209-06205	B-7
5A8-81800-10	F-6	42X-83328-00	F-7	42X-84338-00	F-10	90110-06077	E-8	90179-12657	D-8	90209-10131	F-12
3JK-81815-00	F-15	2EN-83330-00	F-7	42X-84345-00	F-10	90110-06091	E-9	90179-14317	D-4	90209-22191	D-3
5A8-81826-10	F-6	3GM-83350-01	F-15	306-84346-30	F-10	90110-06093	C-13	90179-16448	B-5	90209-27192	D-3
5A8-81830-10	F-6	41R-83350-71	F-15	306-84346-40	F-10	90116-08104	B-2	90179-25033	E-2	90214-20022	C-15
5A8-81840-10	F-6	57M-83358-00	F-7	42X-84366-00	F-10	90116-08360	D-14	90179-44328	D-4	90215-20170	D-2
11H-81844-00	F-6	42X-83363-00	F-7	2F9-84375-00	F-10	90116-10249	D-14	90179-88336	D-4	90215-20182	C-15
1J7-81847-60	F-6	1RM-83371-00	F-15	5Y3-84395-00	F-10	90116-10344	B-2	90185-14070	D-14	90215-22238	D-13
5A8-81847-10	F-6	1RM-83371-10	F-15	2F9-84397-01	F-10	90116-10362	D-14	90201-05031	F-8	90240-06057	F-2
25G-81950-01	F-15	2AE-83371-01	F-15	2EM-84700-E0	F-11	90116-12469	B-2	90201-05725	F-8	90240-06103	F-2
3EN-81950-00	F-15	2AE-83371-11	F-15	1RM-84704-00	F-11	90119-06097	F-11	90201-06057	E-8	90240-08084	F-3
3LP-81960-01	F-15	4GK-83371-00	F-15	1A2-84714-41	F-11	90123-08046	E-13	90201-06073	F-10	90249-12008	F-2
4U8-81980-M0	F-15	4GK-83371-10	F-15	2AE-84721-00	F-11	90149-06011	G-2	90201-063A5	F-14	90269-04003	D-9
11K-82110-62	F-13	2AE-83378-00	F-15	42X-84723-01	F-11	90149-06131	F-12	90201-06380	D-12	90280-05048	B-5
42H-82115-00	F-13	2AE-83378-10	F-15	2YL-84751-00	F-11	90149-06153	F-12	90201-06557	E-6	90282-07042	C-15
42X-82116-00	F-13	42X-83507-00	F-8	11H-85110-01	G-2	90149-06154	D-11	90201-06674	F-5	90338-06121	B-7
1E6-82131-00	F-13	42X-83508-00	F-8	20G-85110-00	G-2	90149-08166	C-14	90201-100A1	F-3	90338-06162	D-11
3H5-82150-00	F-14	1RM-83509-00	F-8	42X-85130-01	G-2	90149-08225	D-10	90201-101A4	B-2		E-9
2H7-82151-00	F-14	42X-83517-00	F-8	3JK-85720-00	F-14	90151-08013	C-14	90201-10118	E-14	90338-07043	D-9
42X-82151-20	F-8	1FG-83519-00	F-8	42H-85752-01	G-2	90151-06041	D-6		E-15	90338-08163	D-13
42X-82151-30	F-8	1FK-83523-00	F-8	42X-85753-00	G-2	90152-05021	F-14	90201-10141	E-2		E-2
3JK-82305-00	F-14	12R-83523-00	F-8	4HM-85885-10	C-6	90157-05084	F-10		F-2	90338-09161	F-3
3LP-82305-00	F-14	3CF-8353E-01	F-8	5A8-86110-50	F-15	90159-06058	D-9	90201-105H3	D-8	90338-20113	D-13
42X-82310-70	F-13	3LP-8353E-01	F-8	90101-06478	F-2	90159-06071	D-12	90201-105R9	D-13	90340-14042	D-15
57A-82314-00	F-13	3CF-8353H-00	F-8	90101-06576	C-9	90159-06110	D-12	90201-10591	B-7	90340-14109	D-15
42X-82317-00	F-13	1RM-83540-00	F-8	90101-06764	E-11	90159-06128	D-11	90201-12166	D-7	90340-14135	B-9
42X-82320-70	F-13	584-83541-00	F-9	90101-10303	B-7	90170-06010	F-12	90201-125A3	B-2	90380-25125	B-7
1J7-82370-00	F-13	3LP-83550-00	F-9	90105-06069	D-8	90170-06184	F-14		D-8	90387-062L2	E-6
1TA-82380-20	F-14	42X-83559-00	F-8	90105-06154	B-7		F-2	90201-12588	D-7	90387-06249	F-9
2AE-82501-01	F-13	1RT-83570-F0	F-8		B-9	90170-06228	D-7	90201-12688	D-7	90387-064E8	C-11
2AE-82510-00	F-13	3LP-83570-00	F-8	90105-10050	F-3	90170-08173	B-6	90201-14577	E-11	90387-065L5	F-11
42X-82530-02	F-13	55R-83579-00	F-8	90105-10217	D-10	90170-10219	E-11	90201-146R0	E-12	90387-07598	B-13
1FK-82539-00	F-13	2GV-83912-00	F-12	90105-10275	C-11	90170-20257	D-2	90201-14632	D-14		C-2
2H7-82540-00	F-13	2W1-83922-00	F-12	90105-10297	D-8	90170-20274	C-15	90201-14633	D-4	90387-07674	D-12
4KM-82540-00	F-13	437-83936-01	F-12	90105-10298	D-8	90171-14044	E-12	90201-151A7	C-15	90387-0801M	C-14
4X7-82566-00	F-14	10M-83941-00	F-12	90105-10299	D-8	90175-06019	F-2	90201-165H4	B-5	90387-087A5	B-4
3LP-82590-00	F-14	10M-83942-00	F-12	90105-10300	D-8	90176-06065	E-8	90201-20276	D-3	90387-087K5	F-3
3LP-82590-10	F-13	1AT-83972-01	F-12	90105-10638	E-10	90176-10073	D-13	90201-225A4	E-8	90387-100E2	D-8
1UA-82591-00	F-13	3LP-83972-00	F-12	90106-10052	D-13	90176-10075	B-2	90201-231A2	D-15	90387-107A7	F-3
42X-82911-00	F-12	1A0-83980-30	F-13	90109-06468	F-2		D-15	90201-255A6	D-4	90387-124F4	D-7
2GV-82917-00	F-12	42X-84124-60	F-10	90109-06577	F-12		D-8	90201-30297	D-6	90387-15550	E-9
3Y6-82917-00	F-12	42X-84315-01	F-10	90109-06667	B-11		F-3	90202-05057	C-4	90387-170E5	C-14
2EN-83310-00	F-7	42X-84318-00	F-10	90109-06799	F-12	90176-22050	E-2	90202-05193	D-11	90387-172A5	D-15
2AE-83311-00	F-7	2AE-84320-G0	F-10	90109-083G4	E-10	90179-08148	E-13		D-8	90387-172E5	C-14

NUMERICAL INDEX

PARTNO.	GRID NO.	PARTNO.	GRID NO.	PARTNO.	GRID NO.	PARTNO.	GRID NO.	PARTNO.	GRID NO.	PARTNO.	GRID NO.
90387-17543	D-13	90467-16098	C-4	91314-06016	C-12	91317-08055	F-10	92907-05600	C-2	93104-14059	C-15
90387-251E1	D-5	90467-22080	C-4	91314-06020	B-11	91317-10060	C-11	92907-06100	D-10	93104-20068	D-3
90401-10102	B-9	90468-05113	B-9		C-12	91317-10070	C-11		D-12	93108-23007	D-15
90401-10159	E-14	90468-08104	C-4	91314-06025	B-3	91317-10100	C-11		D-8	93210-07135	B-11
	E-15	90468-12006	E-2		B-4	91380-06030	C-13		E-14		B-9
90401-10160	E-14	90480-01141	D-12		B-8	91401-16012	F-4		E-15		C-11
90401-16065	B-3	90480-01502	F-11		C-13	91401-20012	F-2		E-7		C-13
90401-16067	B-9	90480-10408	E-6	91314-06030	C-11	91401-20015	E-12		E-8	93210-10096	B-11
90413-07023	B-12	90480-12053	D-12		C-12	91401-25015	F-3		F-10	93210-11368	F-12
	C-2	90480-13163	E-6	91314-06040	B-4	91401-30030	E-12		F-12	93210-14359	D-4
90430-06014	C-11	90480-14074	B-13		C-12	91701-06038	F-4		F-15	93210-29198	C-11
90430-10148	F-13		C-3		C-13	91817-30011	B-2		F-9	93210-32172	C-12
90430-15169	B-9	90480-15316	F-11	91314-06050	B-11	92014-06012	E-2	92907-06200	B-13	93210-44545	B-12
90430-17168	B-3	90480-16233	D-12	91314-06055	C-12	92017-06020	D-10		B-14		B-15
	B-9	90480-16501	F-11	91314-06065	C-12	92506-06012	D-8		C-9	93210-48364	C-15
90445-081A9	F-13	90480-20302	C-11	91314-08030	E-2	92506-06050	C-2		D-11	93210-48530	E-11
90460-12256	B-12	90480-20384	D-12	91314-08050	B-2	92506-06080	C-2		F-11	93210-52449	D-4
	C-2	90480-23444	B-3	91316-06010	B-3	92901-05200	C-4		F-12	93210-54452	B-11
90460-15227	C-4	90480-24186	E-8		B-9	92901-06200	F-2		F-2	93210-56459	B-11
90460-16192	E-6	90501-100F8	B-12	91316-06012	C-3	92901-06600	B-8		F-9	93210-57428	E-11
90460-65169	B-12		C-2		G-2	92901-08100	E-5	92907-06600	B-12	93210-59531	E-11
	B-13	90501-101J3	C-4	91316-06016	E-8	92901-08200	C-15		B-13	93210-60426	D-14
	C-2	90501-101J4	C-4		F-5	92901-08700	D-15		B-7	93210-62446	B-3
	C-3	90501-101J5	E-7	91316-06030	C-2	92901-10100	E-2		D-11	93210-71360	D-4
90461-08113	F-15	90501-10245	F-2		F-5	92902-04600	C-2		D-8	93210-92448	B-2
90462-08076	C-12	90501-10312	F-12	91316-06035	C-3	92902-05100	C-5		E-14	93211-01467	B-4
90462-08138	D-9	90501-12743	F-4	91316-06040	B-9		C-7		E-7	93211-44348	D-15
90462-10085	C-13	90501-16491	D-15	91317-05010	E-7	92902-06100	E-8		F-11	93306-20309	E-11
90462-10098	B-11	90501-21133	B-7	91317-06010	B-3		F-15		F-13	93306-20310	E-11
90462-10143	C-13	90501-70762	D-4		B-9	92902-06200	C-9		F-14	93306-20316	E-11
90462-12142	C-13	90506-08227	D-7	91317-06012	B-13	92902-08100	F-15	92907-08100	C-6	93306-20401	D-3
90462-20188	C-4	90506-10069	C-15		G-2	92903-06100	F-2		D-10	93306-20548	D-4
90465-08256	E-7	90506-20192	F-2	91317-06016	C-13	92903-08100	E-12		F-15	93306-20550	D-3
90465-08309	C-12	90506-35149	F-2		E-8		E-2		G-2	93306-20901	D-4
90465-10168	C-11	90507-20002	E-11		F-14	92903-08600	E-12	92907-08200	C-15	93306-30202	E-9
90467-07093	B-15	90507-29009	F-3		F-5		E-2	92907-08600	G-2	93306-30306	E-11
90467-08092	B-15	90508-18696	F-3	91317-06020	E-6	92903-10100	D-13	92907-10100	E-2	93306-30424	D-3
90467-10035	B-15	90508-26494	C-14	91317-06025	F-10		D-15	92990-06600	C-10	93306-30525	D-3
90467-10039	B-12	90508-29531	D-7	91317-06030	B-13	92906-06100	D-8		C-9	93306-30533	D-14
90467-10091	C-2	90508-32535	D-7		C-11		F-9		C-13	93306-30808	B-5
90467-10135	B-12	90560-06201	F-2		F-5	92906-06200	C-2		D-14	93306-90602	D-6
	E-6	90560-06258	E-6	91317-06035	B-14		C-3		D-4	93306-91201	D-3
	E-7	90560-15116	E-9		D-11		F-9		D-14	93311-21044	D-15
90467-12053	E-6	90560-17249	E-11	91317-06040	B-9	92906-06600	B-15	93101-14102	C-14	93311-43729	D-14
	E-7	91311-08030	E-5	91317-06055	C-11		C-2	93101-30084	D-7	93311-44051	D-4
90467-14015	B-2	91312-06090	C-3	91317-06080	C-11		D-8	93101-35099	E-9	93316-01201	D-3
90467-14057	B-12	91314-06016	B-2	91317-06090	B-13	92907-04600	B-12	93101-38098	D-13	93316-01403	D-14
	B-15		B-3	91317-08020	D-13	92907-05600	B-13	93102-12106	D-15	93317-22021	D-4

NUMERICAL INDEX

PARTNO.	GRID NO.	PARTNO.	GRID NO.	PARTNO.	GRID NO.	PARTNO.	GRID NO.	PARTNO.	GRID NO.
93317-41510	D-14	95304-08700	E-12	97007-06025	F-12	98507-06012	E-7		
93332-00001	E-2	95304-10700	F-3	97007-08012	G-2		F-13		
93332-00008	E-2	95306-06600	F-9	97007-08016	E-6	98507-06025	F-13		
93332-00010	D-13	95307-05600	F-8	97007-10016	F-2	98507-06030	C-12		
93340-21505	C-15	95307-06600	D-11	97011-08020	B-3		F-14		
93410-22039	D-15		F-11	97017-08020	B-3	98507-06050	B-13		
93410-23056	D-15		F-9	97024-06020	D-7	98507-06080	B-13		
93440-14086	B-2	95307-06700	F-15	97026-06020	B-15	98516-06012	F-4		
93440-20088	D-15	95307-08700	B-7	97027-06012	D-10	98701-04010	F-8		
93440-30077	D-3		C-15	97027-06020	B-12	98701-05035	D-6		
93450-24028	B-5		F-15	97027-06025	D-2	98704-06016	C-12		
93501-04004	F-4	95307-10700	E-2	97027-08012	D-10	98706-04008	C-5		
93604-10011	B-7	95311-08600	D-15	97701-40014	F-8	98706-04012	E-14		
93604-16092	D-6		E-5	97701-60114	C-4	98707-04010	F-8		
93604-20156	D-6	95601-06100	F-3	97702-40112	C-2	98707-06014	C-12		
93605-10090	B-7	95607-06100	F-12	97706-50508	C-2	98903-06010	C-9		
93606-07082	C-15		F-3		D-9	98904-06010	C-9		
93608-50158	D-7	95617-10620	C-11	97707-40014	F-8	98980-05016	F-13		
93900-00022	E-9	95617-10670	C-11	97707-40112	B-12	99001-10600	D-7		
93900-00025	E-11	95702-05500	G-2	97707-40625	F-11	99009-12400	D-7		
94110-1904N	E-9	95704-06500	F-7	97707-50508	B-13	99009-13400	C-14		
94110-1904P	E-9	95706-12500	F-7		D-9	99009-20400	D-3		
94114-1504R	E-11	95707-05500	G-2	97707-60520	F-14	99009-25400	D-3		
94114-1504S	E-11	95707-06500	C-14	98002-10016	F-2	99510-08016	B-9		
94421-19526	E-9	95707-12500	F-7	98501-04008	F-8	99530-10114	C-12		
94430-15525	E-11	95801-06014	C-3	98502-04008	C-7	99530-10120	C-13		
94580-25066	B-9	95802-06025	C-3	98502-05010	C-7	99530-14016	C-11		
94590-45098	B-7	95807-06012	F-11	98502-05012	C-8				
94701-00218	B-3	95807-06014	B-13	98502-05014	C-7				
94701-00220	B-3	95807-06016	F-11		C-8				
95021-08045	C-9	95807-06025	B-13	98502-05016	C-5				
95024-06020	E-14	95814-06025	F-6	98506-05040	F-12				
95024-06030	F-7	95817-06016	D-10	98506-05045	F-12				
95024-08020	E-3	95821-08030	D-5	98507-04008	C-5				
	F-4	95821-10025	D-15		F-8				
95024-08035	D-13	95827-06016	D-10	98507-05008	E-13				
95024-08045	E-2	95827-08030	D-5	98507-05010	C-5				
	F-4	97002-06016	E-8	98507-05012	B-13				
95027-08045	C-9	97002-10016	F-2		C-2				
95301-05600	C-4	97007-06010	E-14		C-6				
	F-8		E-15	98507-05014	C-6				
95301-08700	B-7	97007-06012	E-7	98507-05035	F-12				
	C-15	97007-06014	F-15	98507-06008	F-12				
95301-10700	E-2	97007-06016	E-8	98507-06010	C-12				
95302-06700	F-15		F-10		D-12				
95302-08700	F-15		F-13		E-7				
95303-06700	D-7	97007-06020	D-12	98507-06012	D-11				
95304-06700	D-7	97007-06025	E-14		D-8				